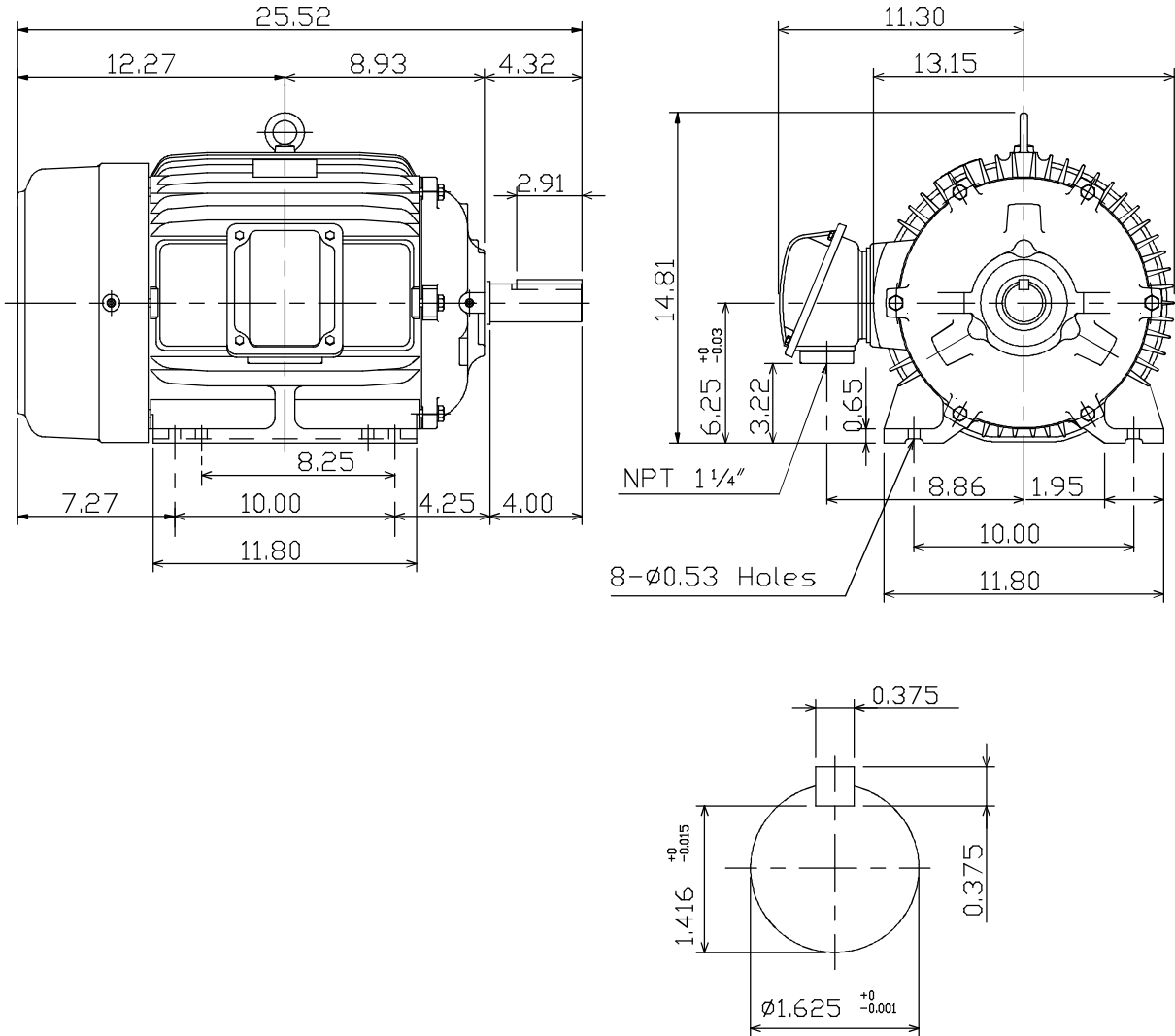


CATALOG NO. CD0204	OUTLINE DIMENSIONS 3-PHASE INDUCTION MOTOR	MOTOR TYPE: AEEAGD
DATE JULY-20-15		FRAME NO. 256T

Pole	HP	kW	Hz	VOLT	r/min(rpm)
4	20	15	60	230/460	1800

Ins	Rating	Dimension in	Approx Weight	Bearings	
F	CONT.	inches	306 lbs.	DE: 6309Z	NDE: 6307Z

Totally Enclosed Fan-Cooled Type, Squirrel-cage Rotor.



NOTE:

1. ENCLOSURE: IP55
2. SHAFT MATERIAL: SCM440 Q&T (AISI 4140 EQUIV)
3. WITH THERMISTOR: PTC 140°C x 3PCS  
WIRED IN MAIN TERMINAL BOX

TW-26C

◇	DWG. C. RAM	07 20 15
---	-------------	----------

DWG.	W.J.HUANG	06 •18 13	TEC Westinghouse	DWG NO.	31057H212590
CHKD.	K.L.KUD	06 •20 13			
APPD.	C.H.SHYU	06 •20 13			