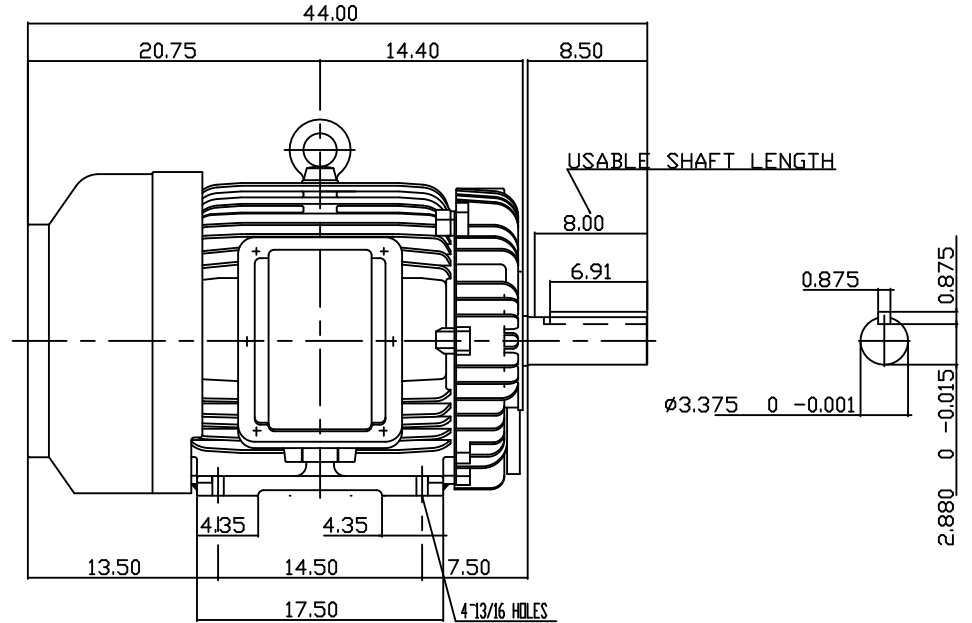
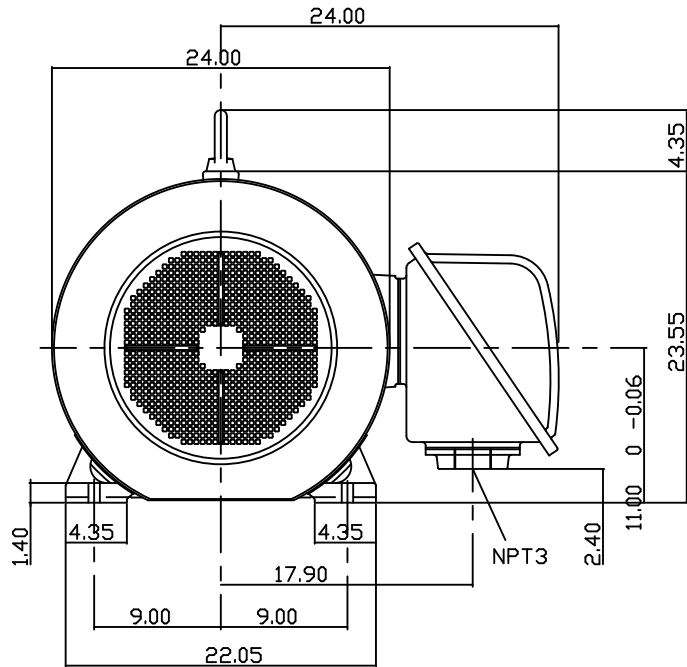


TYPE	OUTPUT		POLE	TIME RATING	VOLTAGE V	Hz	SYN.SPEED R.P.M
	HP.	kW.					
AEEAGD	100	74.6	6	CONT.	190/380	50	1000

TOTALLY ENCLOSED FAN-COOLED TYPE, SQUIRREL-CAGE ROTOR



NOTE:

1. DIMENSIONS IN INCH
2. FRAME NO. 444T
3. F CLASS INSULATION, S.F.1.0
4. FOR BELT DRIVE
5. ENCLOSURE: IP54
6. BEARING SIZE DRIVE END: NU318C3
NON-DRIVE END: 6316
7. APPROX. WEIGHT: 1600 LBS

TW-56C

DATE 20110905	OUTLINE DIMENSIONS
CAT. # CD1006R-50	3-PHASE INDUCTION MOTOR
DWG NO. 3B040C061	REV: 00

DWN.	T.H.Pan	JUN '30 2005
CHKD.	H.HUANG	JUN '30 2005
APPD.	C.WANG	JUN '30 2005

TEC Westinghouse