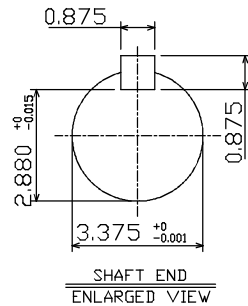
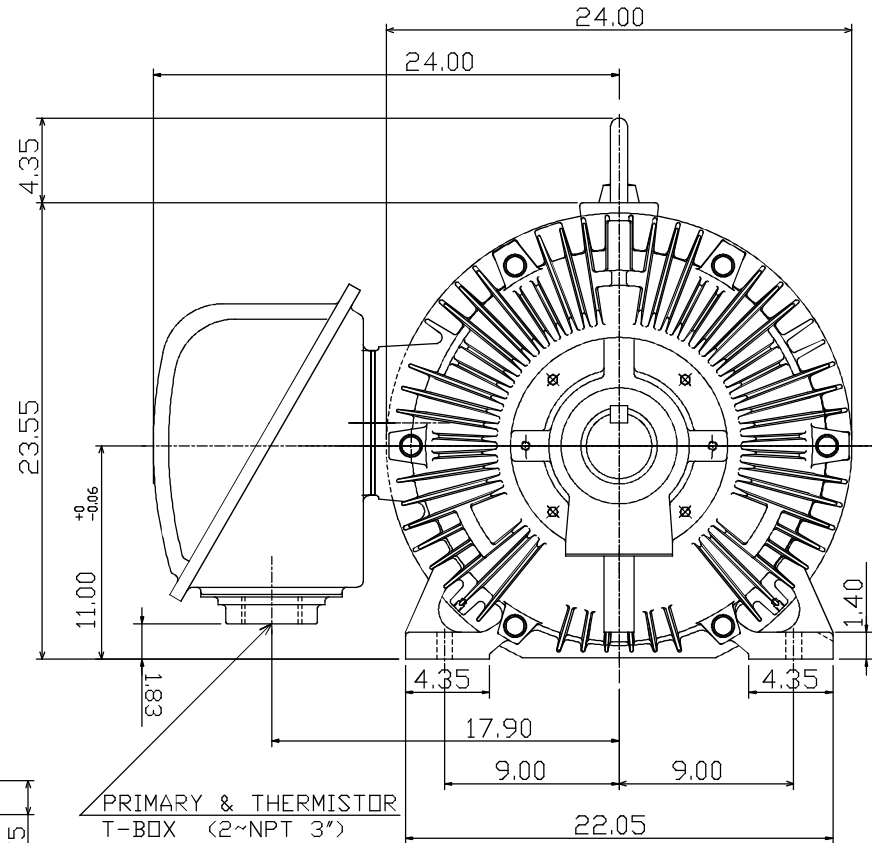
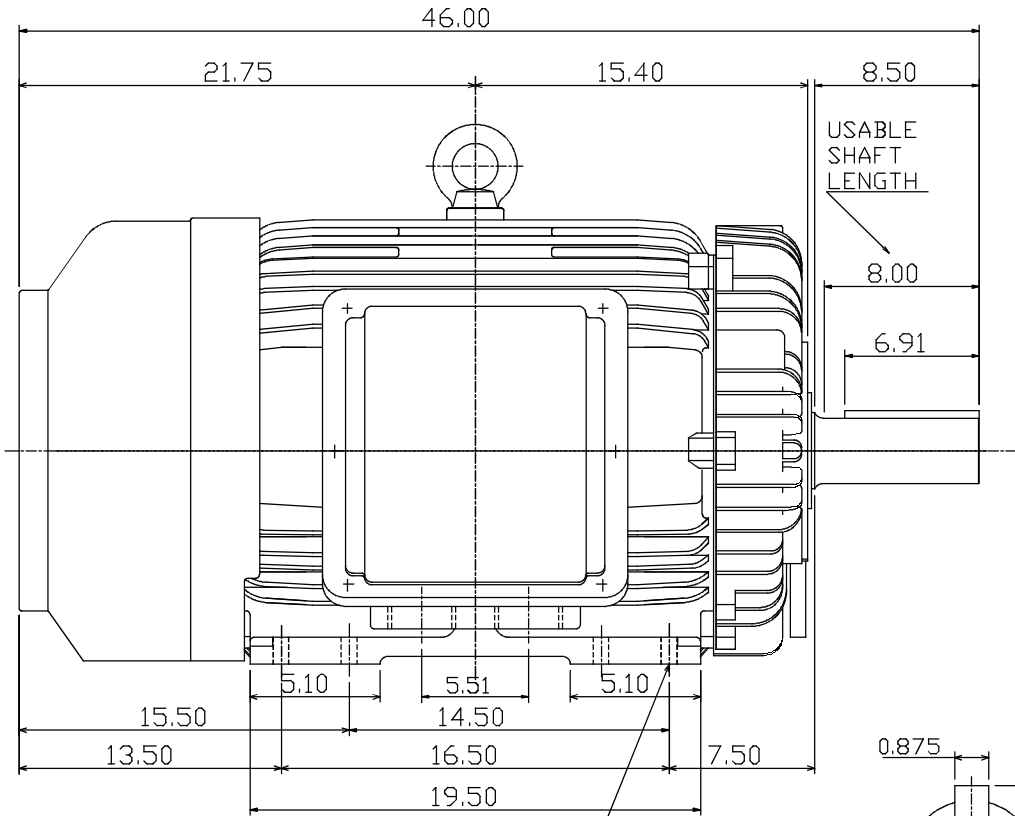


TYPE	OUTPUT		POLE	TIME RATING	VOLTAGE V	Hz	SYN.SPEED R.P.M
	HP.	kw.					
AEEAGD	125	93	6	CONT.	230/460	60	1200

TOTALLY ENCLOSED FAN-COOLED TYPE, SQUIRREL-CAGE ROTOR



NOTE:

1. DIMENSIONS IN INCHES
2. FRAME NO. 445T
3. F CLASS INSULATION, S.F.1.15
4. FOR BELT SERVICE
5. BEARING SIZE: DRIVE END: 6318C3
NON-DRIVE END: 6316C3
6. ENCLOSURE: IP55
7. WITH THERMISTOR: PTC 140°C 3PCS
8. SHAFT MATERIAL: SCM440 Q&T (AISI 4140 EQUIV)
9. CORROSION PROOF
10. MOTOR APPROX. WEIGHT: 1900 LBS

TW-56BC

DWN.	C. RAM	DEC 01 2015	CATALOG NO. CD1256
DWN.	S.LEE	DEC•22•2006	
CHKD.	S.LEE	DEC•22•2006	TEC Westinghouse
APPD.	C.WANG	DEC•22•2006	

OUTLINE DIMENSIONS
3-PHASE INDUCTION MOTOR

DWG NO. REV: 00
3B040R345