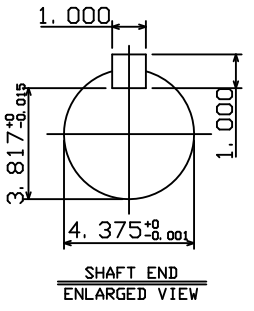
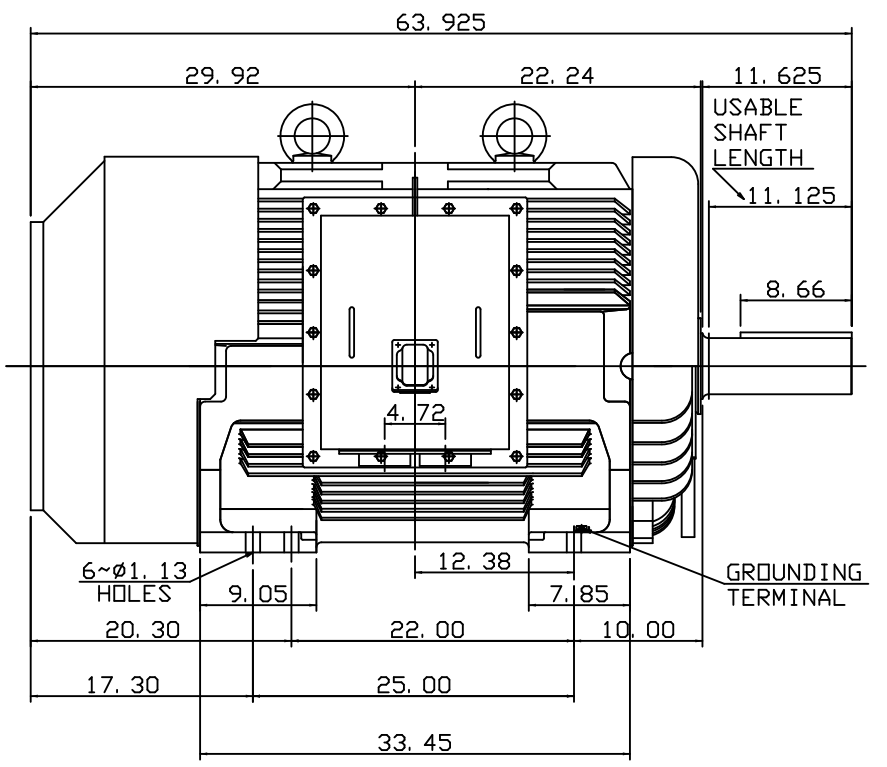
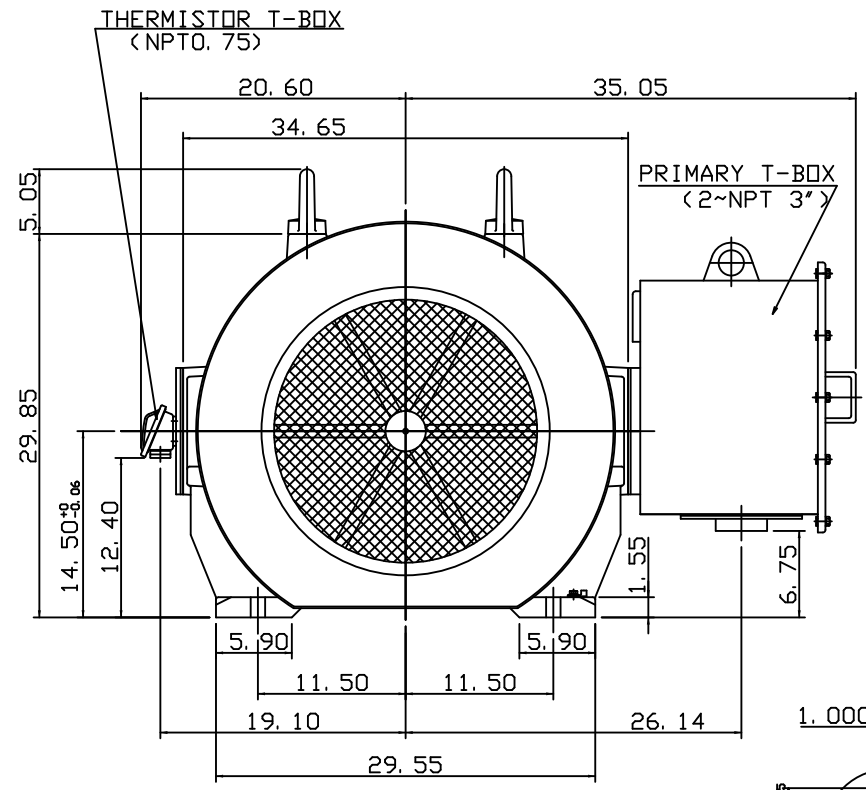


TYPE	OUTPUT		POLE	TIME RATING	VOLTAGE V	Hz	SYN. SPEED R. P. M
	HP.	kW.					
AEEAGD	400	298	6	CONT.	575	60	1200

TOTALLY ENCLOSED FAN-COOLED TYPE, SQUIRREL-CAGE ROTOR



- NOTE:
- DIMENSIONS IN INCHES
 - FRAME NO. 586/7UZ
 - F CLASS INSULATION, S. F. 1.0 (50Hz)
F CLASS INSULATION, S. F. 1.15 (60Hz)
 - FOR BELT SERVICE
 - BEARING SIZE: DRIVE END: NU326C3
NON-DRIVE END: 6322C3
 - ENCLOSURE: IP55
 - WITH THERMISTOR: PTC 140°C 3PCS
 - SHAFT MATERIAL: SCM440 Q&T (AISI 4140 EQUIV)
 - MOTOR APPROX. WEIGHT: 4650 LBS

4A040Y700

DWN.	C. RAM	DEC 02 2015
DWN.	J. CHANG	APR 22 2015
CHKD.	H. HUANG	APR 22 2015
APPD.	C. LIU	APR 22 2015

CATALOG NO.
CD40065RZ

TEC Westinghouse

OUTLINE DIMENSIONS
3-PHASE INDUCTION MOTOR

DWG NO. REV: 00
4B040L197