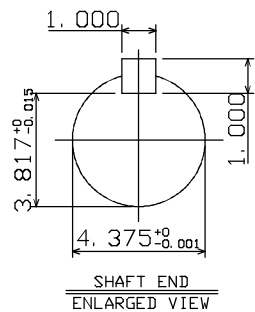
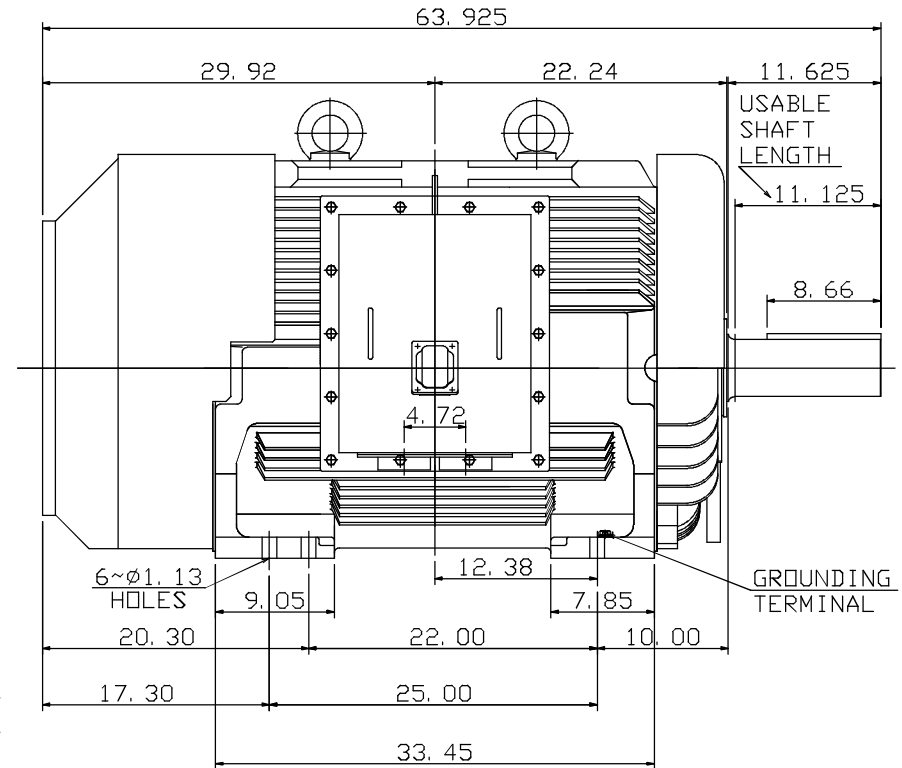
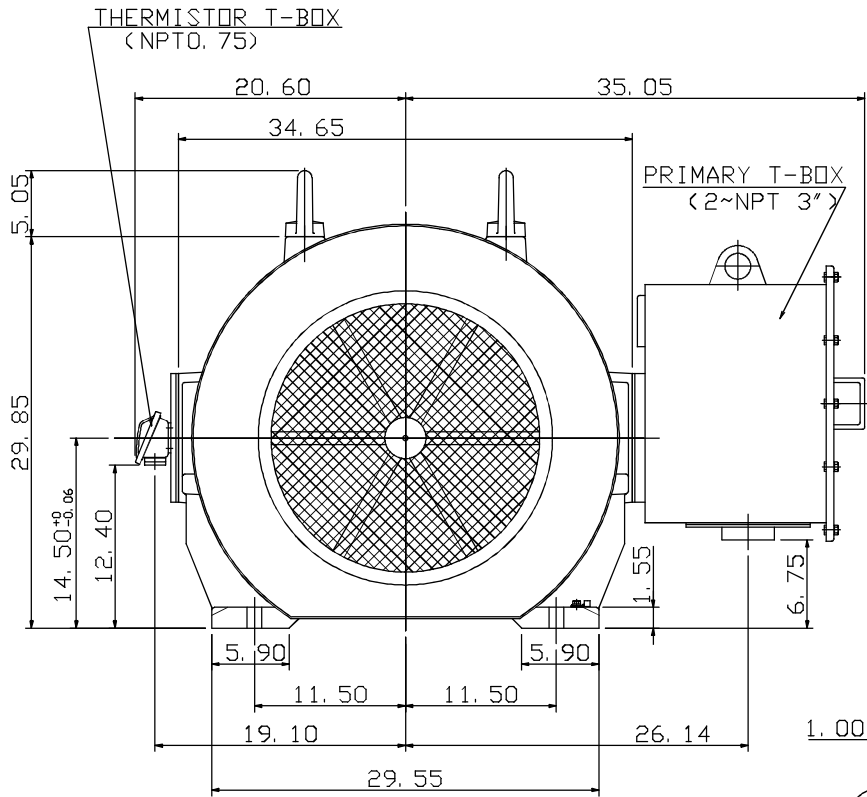


TYPE	OUTPUT		POLE	TIME RATING	VOLTAGE V	Hz	SYN. SPEED R. P. M
	HP.	KW.					
AEEAGD	400	298	6	CONT.	460	60	1200

TOTALLY ENCLOSED FAN-COOLED TYPE. SQUIRREL-CAGE ROTOR



NOTE:

- DIMENSIONS IN INCHES
- FRAME NO. 586/7UZ
- F CLASS INSULATION, S. F. 1.0 (50Hz)
F CLASS INSULATION, S. F. 1.15 (60Hz)
- FOR BELT SERVICE
- BEARING SIZE: DRIVE END: NU326C3
NON-DRIVE END: 6322C3
- ENCLOSURE: IP55
- WITH THERMISTOR: PTC 140°C 3PCS
- SHAFT MATERIAL: SCM440 Q&T (AISI 4140 EQUIV)
- MOTOR APPROX. WEIGHT: 4650 LBS

4A040Y700

DWN.	C. RAM	DEC 02 2015	CATALOG NO.
DWN.	J. CHANG	APR 22 2015	CD4006RZ
CHKD.	H. HUANG	APR 22 2015	TEC Westinghouse
APPD.	C. LIU	APR 22 2015	

CD4006RZ

OUTLINE DIMENSIONS
3-PHASE INDUCTION MOTOR

DWG NO. REV: 00
4B040L197