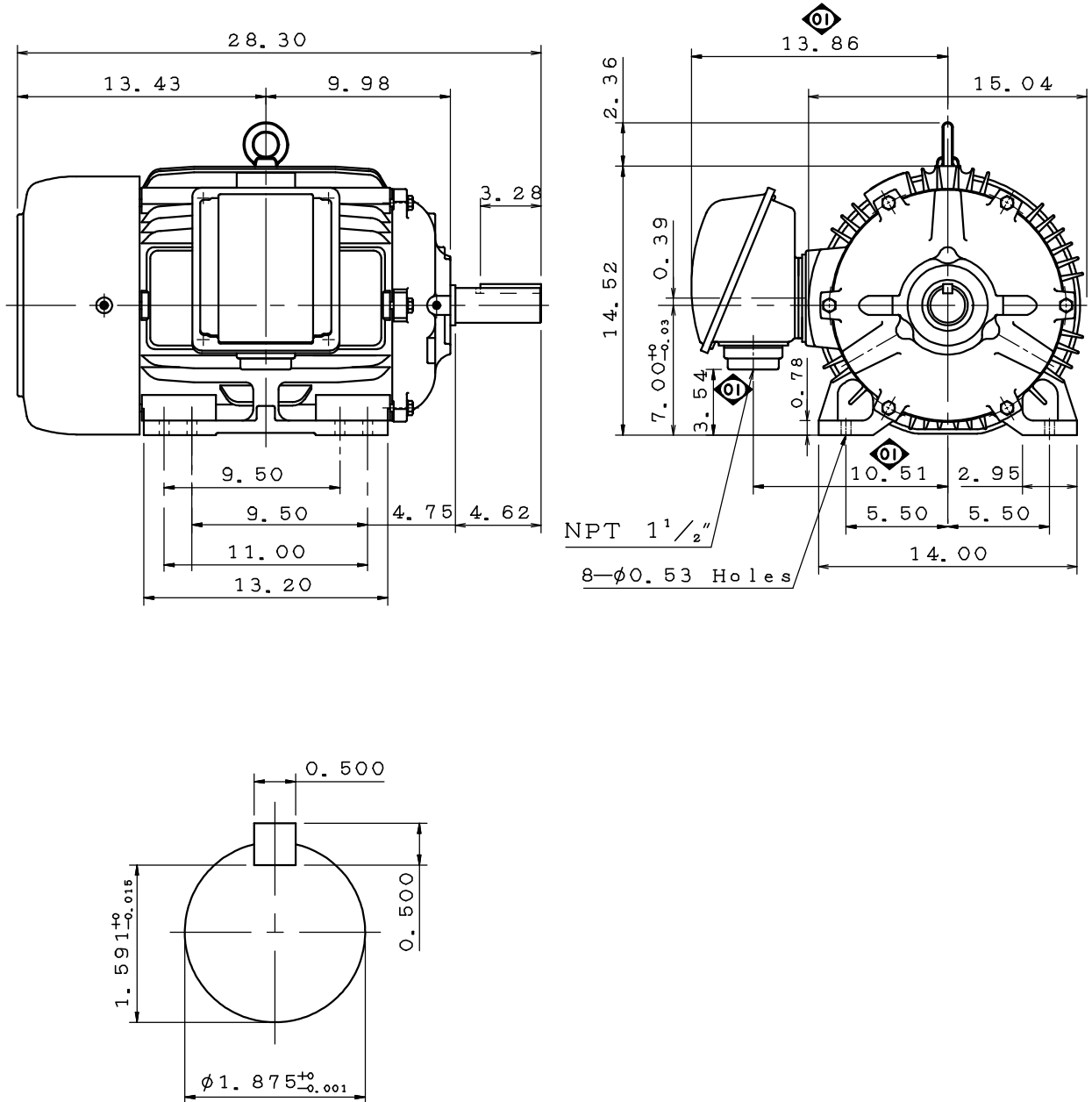


DATE APRIL 1, 2020	OUTLINE DIMENSIONS	MOTOR TYPE: AEHH8N
CATALOG NO.: EP0158		3-PHASE INDUCTION MOTOR

Pole	HP	kW	Hz	VOLT	r/min(rpm)
8	15	11	60	230/460	900

Ins	Rating	Dimension in	Approx Weight	Bearings
F	CONT.	inch	① 455 lbs	DE:6311ZZ NDE:6310ZZ

Totally Enclosed Fan Cooled Type. Squirrel-cage Rotor.



① 12.16.19 Enlarge T-BOX volume. J. F. Chen

DWG.	H. C. Yang	07.15.19	TECO Westinghouse	DWG NO.
CHKD.	M. C. JENG	07.26.19		31057M093071
APPD.	M. C. JENG	07.26.19		