

DATE
MAY 28, 2009
CATALOG # GP0054

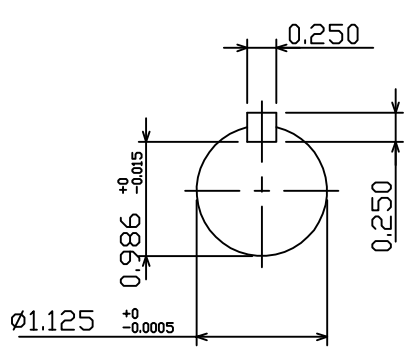
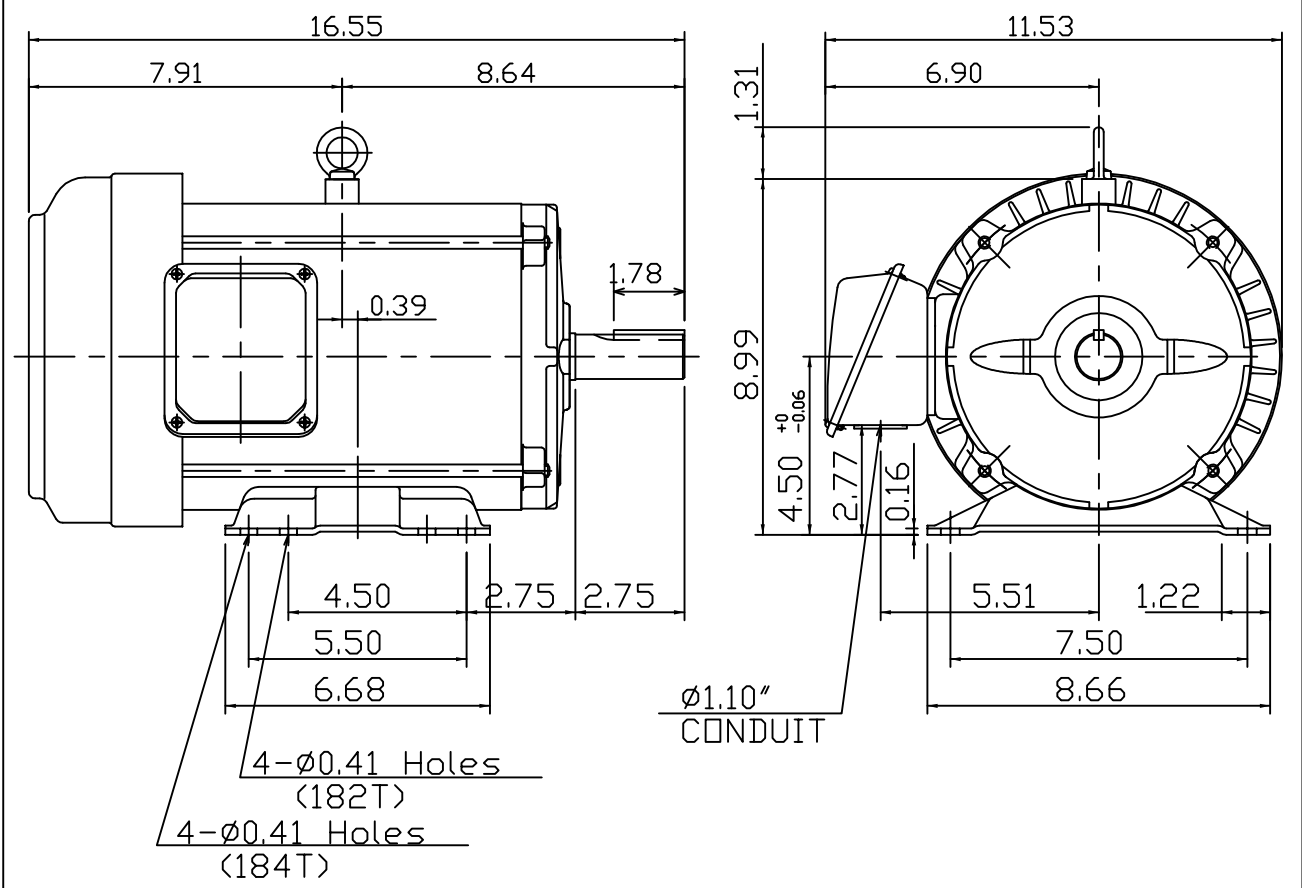
OUTLINE DIMENSIONS
3-PHASE INDUCTION MOTOR

MOTOR TYPE:
AEGH
FRAME NO. 184T

| Pole | HP | kW | Hz | VOLT | Syn.Speed r/min(rpm) |
|------|----|------|----|---------|-------------------------|
| 4 | 5 | 3.73 | 60 | 230/460 | 1800 |

| Ins | Rating | Dimension in | Approx Weight | Bearings |
|-----|--------|--------------|---------------|----------------------------|
| F | CONT. | inches | 82 lbs. | DE: 6206ZZC3 NDE: 6205ZZC3 |

Totally Enclosed Fan-Cooled Type, Squirrel-Cage Rotor.



| | | |
|-------|-----------|----------|
| DWN. | J.H.LIANG | 04-28-08 |
| CHKD. | H.C.YAN | 05-05-08 |
| APPD. | M.C.TSAI | 05-05-08 |



DWG NO.
31049R171010