

DATE
APRIL 30, 2012
CATALOG NO.
XPO054C

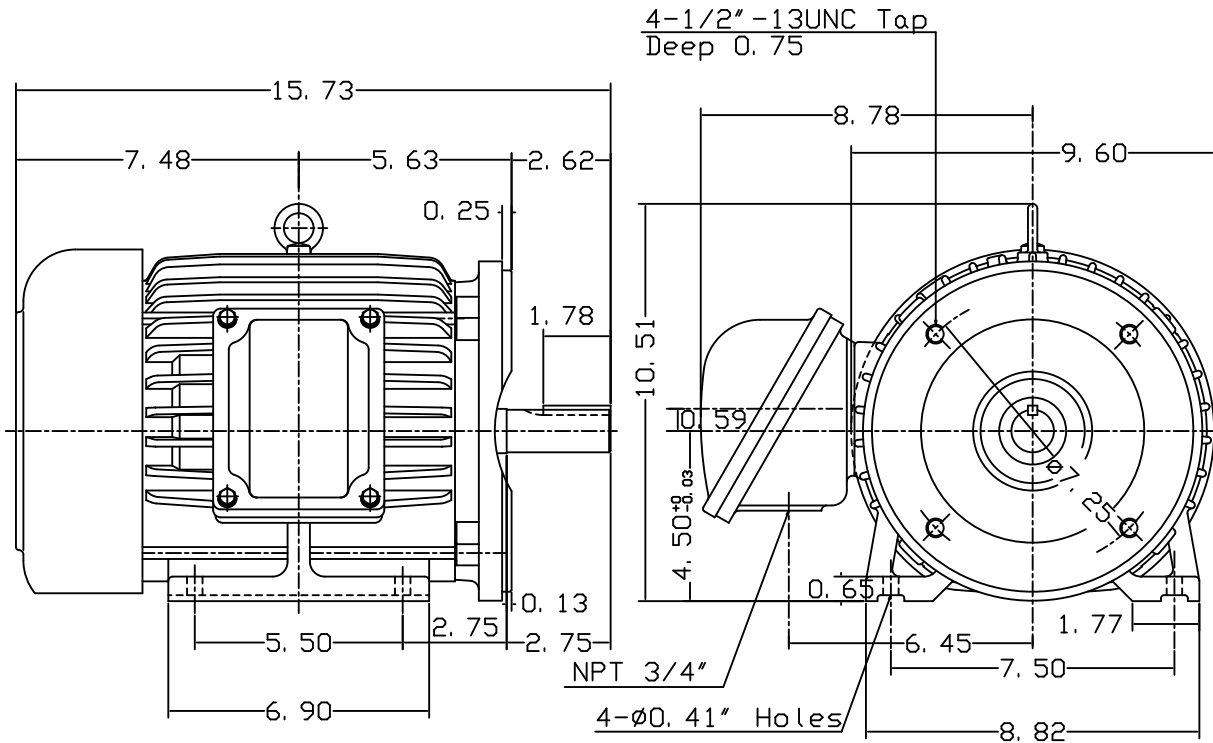
OUTLINE DIMENSIONS
3-PHASE INDUCTION MOTOR

MOTOR TYPE:
AEHHXF
FRAME NO. 184TC

| Pole | HP | KW | Hz | VOLT | Syn. Speed RPM |
|------|----|------|----|---------|-------------------|
| 4 | 5 | 3.75 | 60 | 230/460 | 1800 |

| Ins | Rating | Dimension in | Approx Weight | Bearings |
|-----|--------|--------------|---------------|------------------------|
| F | CONT. | inches | 150 lbs. | DE: 6306ZZ NDE: 6306ZZ |

Totally Enclosed Fan-Cooled Type, Squirrel-Cage Rotor.



NOTE:
1. EXPLOSION PROOF:
CLASS I GROUP C, D AND
CLASS II GROUP E, F, G.

| | | |
|-------|-------------|----------|
| DWN. | J. H. LIANG | 11-12-98 |
| CHKD. | C. S. LO | 11-23-98 |
| APPD. | Y. B. HUANG | 11-23-98 |

TECO Westinghouse

DWG NO.
31049M622052