

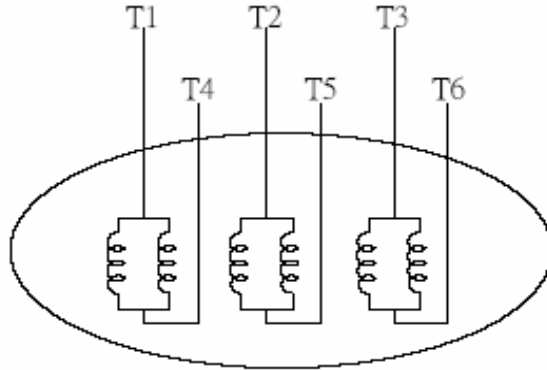
DATE:

May 1, 2014

CONNECTION DIAGRAM

CATALOG NO.:

KG1258R



SCHEMATIC DIAGRAM - 6 LEADS

VOLTAGE	CONNECTION	ROTATION (VIEWED FROM DRIVE END)
2300		
4160		

TECO  **Westinghouse**

DWG. NO.

3A061H475