

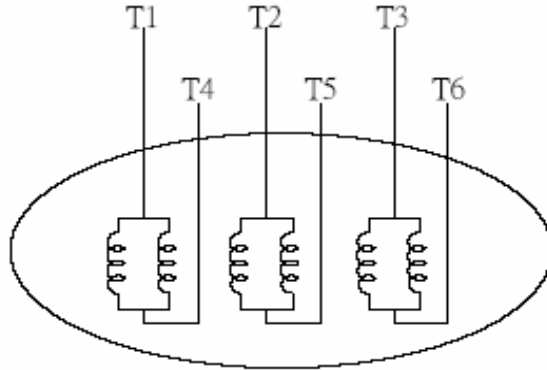
DATE:

May 1, 2014

CONNECTION DIAGRAM

CATALOG NO.:

KG1506R



SCHEMATIC DIAGRAM - 6 LEADS

VOLTAGE	CONNECTION	ROTATION (VIEWED FROM DRIVE END)
2300	<p>Diagram for 2300V: Three supply lines L1, L2, and L3 are shown. L1 is connected to terminal T1, L2 to T2, and L3 to T3. The other terminals T4, T5, and T6 are connected to form a star point.</p>	<p>A curved arrow indicating clockwise rotation when viewed from the drive end.</p>
4160	<p>Diagram for 4160V: Three supply lines L1, L2, and L3 are shown. L1 is connected to terminal T1, L2 to T2, and L3 to T3. The other terminals T4, T5, and T6 are connected in a delta configuration.</p>	<p>A curved arrow indicating clockwise rotation when viewed from the drive end.</p>

TECO  **Westinghouse**

DWG. NO.

3A061H475