

DATE: January 26, 2018

OUTLINE DIMENSIONS

MOTOR TYPE: AEHHGD

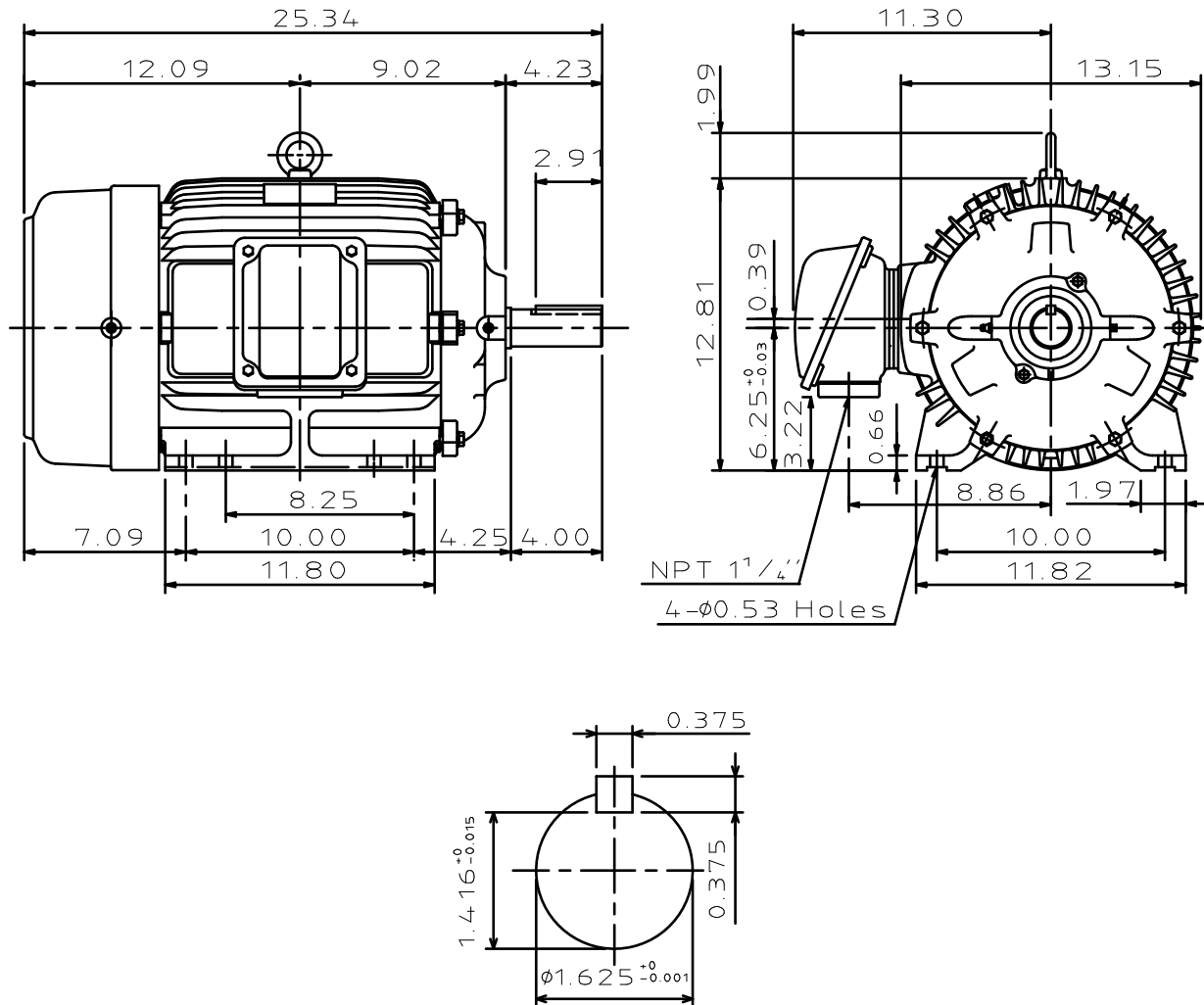
CATALOG NO. CDP0204

3-PHASE INDUCTION MOTOR

FRAME NO. 256T

Pole	HP	kW	Hz	VOLT	r/min
4	20	14.9	60	230/460	1800
Ins	Rating	Dimension in	Approx Weight	Bearings	
F	CONT.	inches	395 LBS.	DE6309ZZ NDE:6307ZZ	

Totally Enclosed Fan-Cooled Type. Squirrel-cage Rotor.



NOTE:

1. ENCLOSURE: IP55
2. SHAFT MATERIAL: SCM440 Q&T (AISI 4140 EQUIV)
3. WITH THERMISTOR: PTC 140°C x 3PCS WIRED IN MAIN TERMINAL BOX



DWG.	C.COOK	02.01.18
------	--------	----------

TEC Westinghouse

DWG NO.
31057H856890