

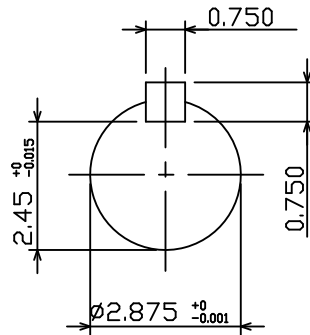
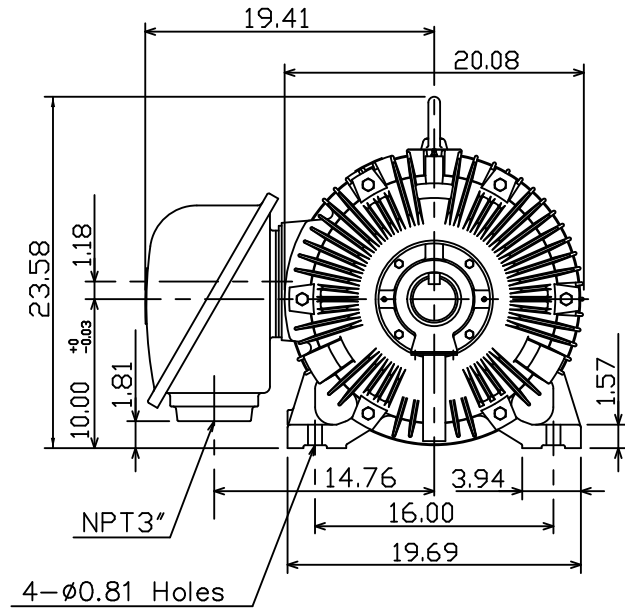
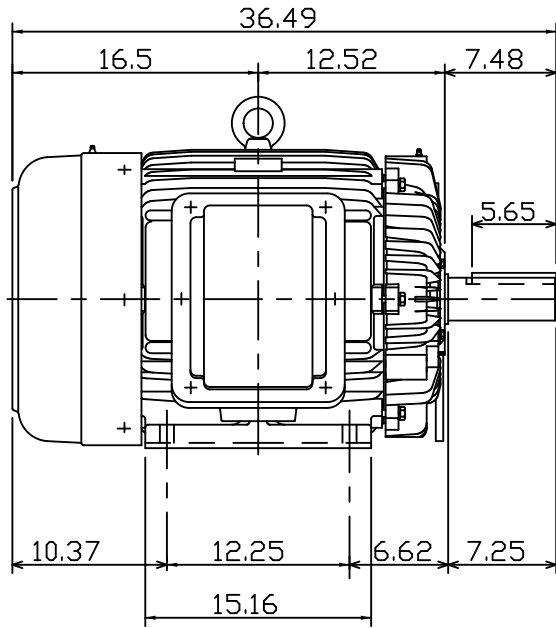
DATE: January 26, 2018
 CATALOG NO. CDP0606R

OUTLINE DIMENSIONS
 3-PHASE INDUCTION MOTOR

MOTOR TYPE: AEHHGD
 FRAME NO. 404T

Pole	HP	kW	Hz	VOLT	r/min
6	60	44.8	60	230/460	1200
Ins	Rating	Dimension in	Approx Weight	Bearings	
F	CONT.	inches	1295 LBS.	DE: NU317	NDE: 6313

Totally Enclosed Fan Cooled Type.Squirrel-cage Rotor.



NOTE:

1. ENCLOSURE: IP55
2. SHAFT MATERIAL: SCM440 Q&T (AISI 4140 EQUIV)
3. WITH THERMISTOR: PTC 140°C × 3PCS
WIRED IN MAIN TERMINAL BOX

DWG.	C.COOK	02-01-18
------	--------	----------

TEC Westinghouse

DWG NO.
 31049M633410