

DATE: January 26, 2018  
 CATALOG NO. CDP0754R

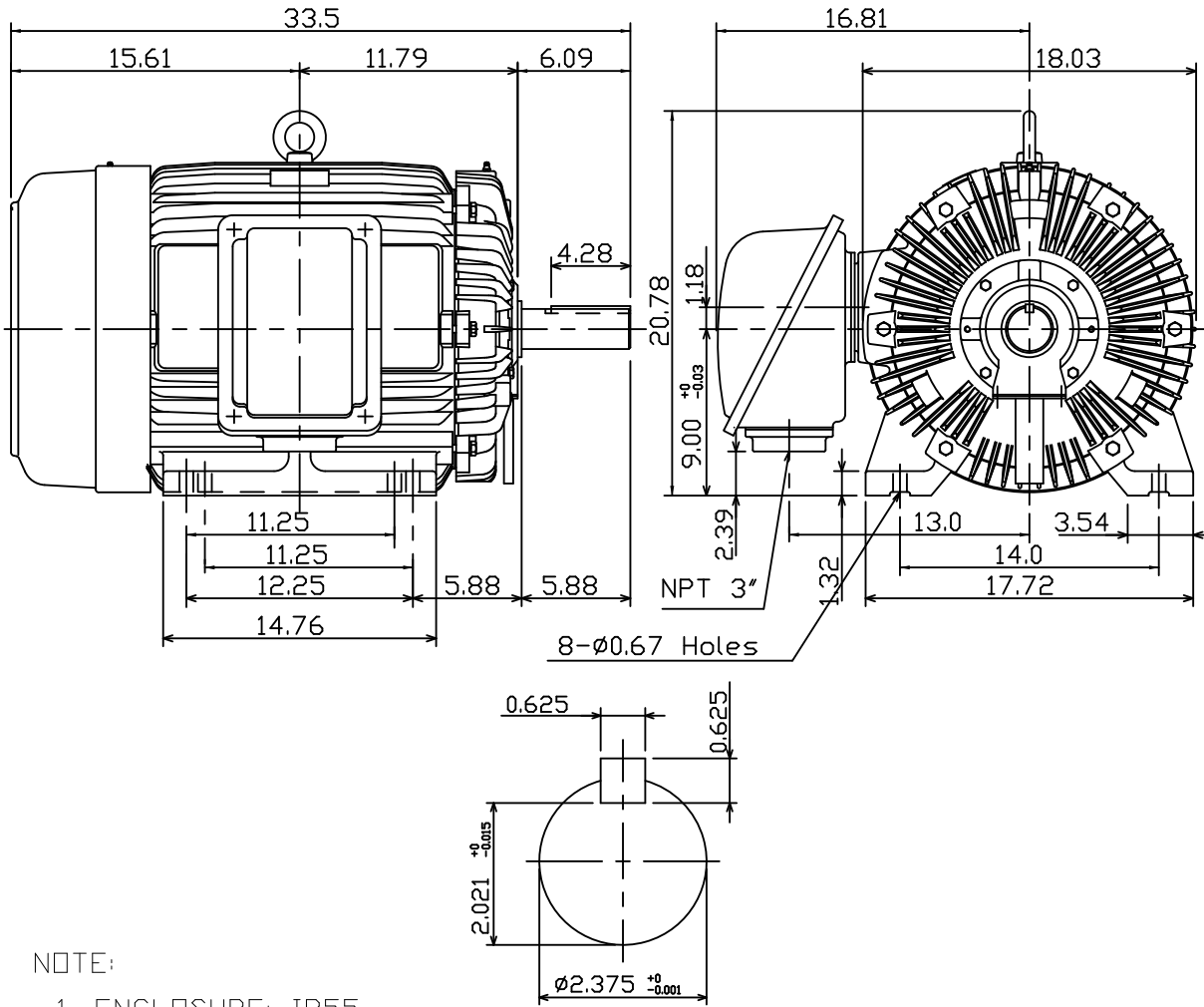
OUTLINE DIMENSIONS  
 3-PHASE INDUCTION MOTOR

MOTOR TYPE: AEHHGD  
 FRAME NO. 365T

Pole	HP	kW	Hz	VOLT	r/min
4	75	55.6	60	230/460	1800

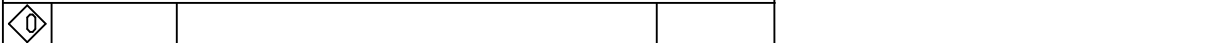
Ins	Rating	Dimension in	Approx Weight	Bearings
F	CONT.	inches	1075 LBS.	DE: NU313 NDE: 6213

Totally Enclosed Fan-Cooled Type, Squirrel-Cage Rotor.



NOTE:

- ENCLOSURE: IP55
- SHAFT MATERIAL: SCM440 Q&T (AISI 4140 EQUIV)
- WITH THERMISTOR: PTC 140°C x 3PCS WIRED IN MAIN TERMINAL BOX



DWG.	C.COOK	02-01-18
------	--------	----------



DWG NO.  
 31049J361680