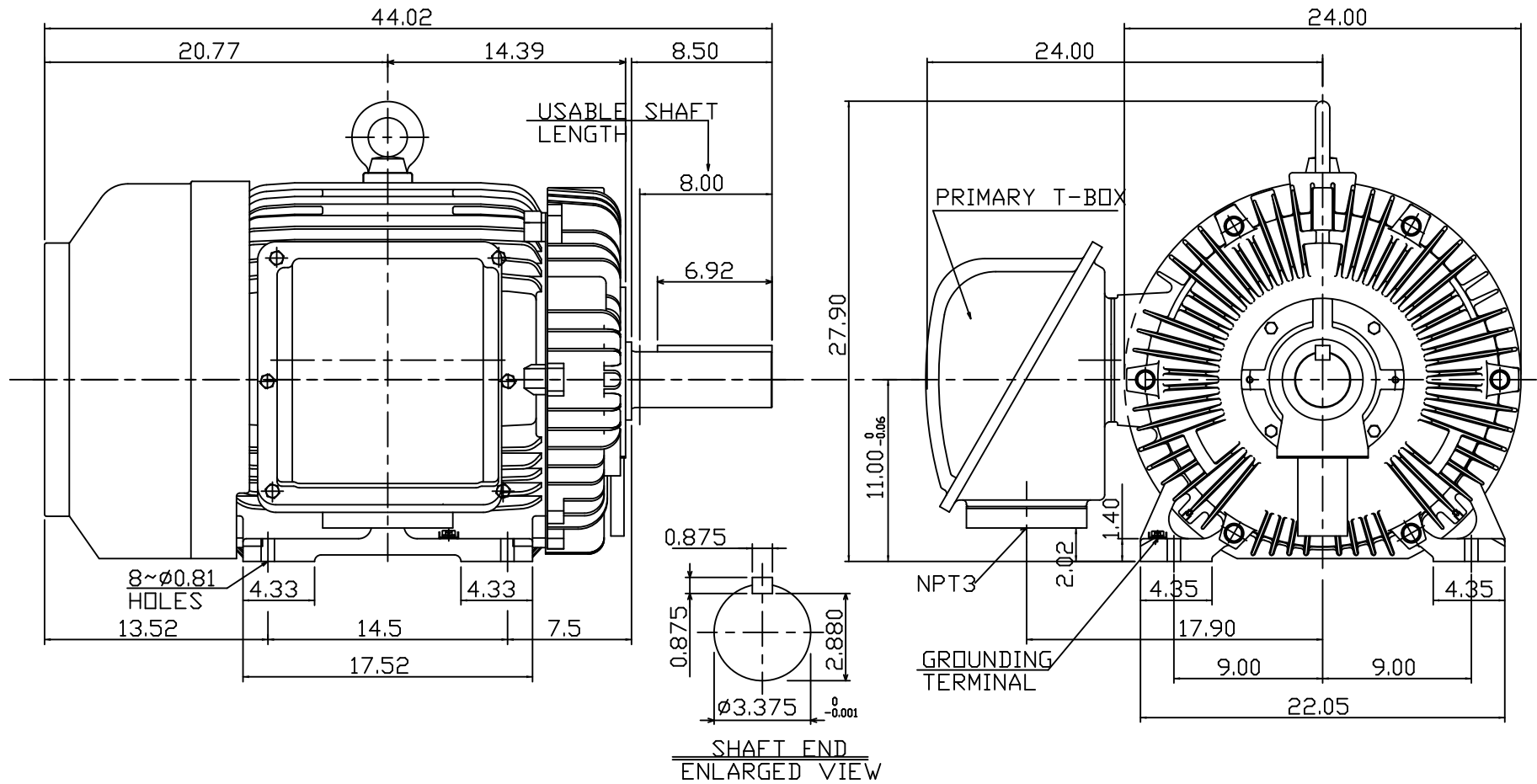


POLE	HP	kW	Hz	VOLT	r/min(RPM)	INS	RATING	DIMENSION IN	APPROX WEIGHT	BEARINGS
8	75	56	60	230/460	900	F	CONT.	INCHS	1600 LBS.	DE: NU318 NDE: 6316



NOTE:

1. DIMENSIONS IN INCHES
2. FRAME NO. 444T
3. F CLASS INSULATION, S.F.1.15
4. FOR BELT SERVICE
5. ENCLOSURE: IP55
6. WITH THERMISTOR: PTC 140°C 3PCS
7. SHAFT MATERIAL: SCM440 Q&T (AISI 4140 EQUIV)
8. CORROSION PROOF

OUTLINE DIMENSIONS 3-PHASE INDUCTION MOTOR			
MOTOR TYPE	AEHHGD	FRAME NO.	EH-444T
CATALOG NO.	CDP0758R	DATE	02-01-2018

TEC Westinghouse

DWG. NO. 31057G001880

DWG. C.COOK 02-01-18