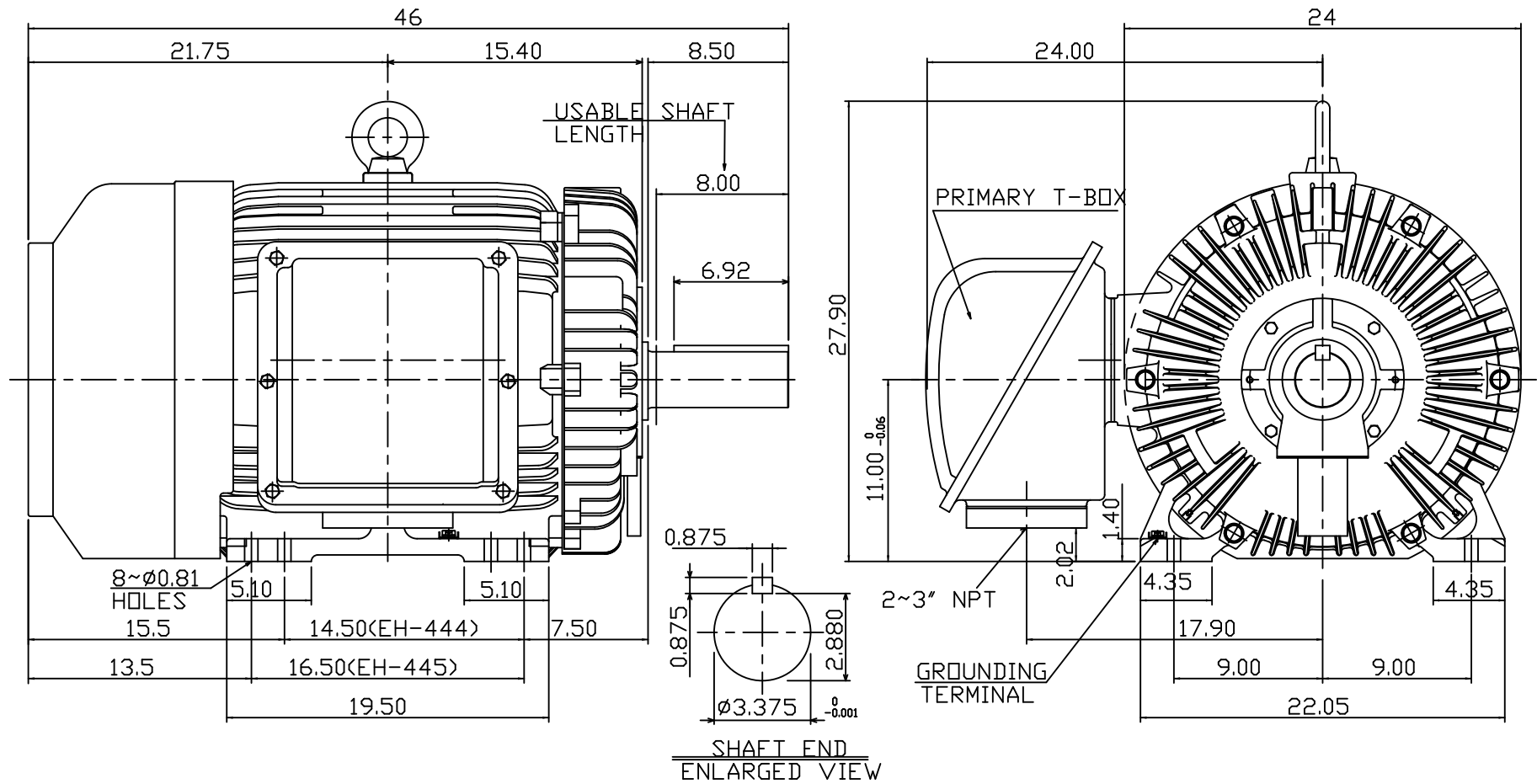


POLE	HP	kW	Hz	VOLT	r/min(RPM)	INS	RATING	DIMENSION IN	APPROX WEIGHT	BEARINGS
4	150	112	60	460	1800	F	CONT.	INCHS	1865 LBS.	DE: NU318 NDE: 6316



NOTE:

1. DIMENSIONS IN INCHES
2. FRAME NO. 445T
3. F CLASS INSULATION, S.F.1.15
4. FOR DIRECT COUPLING
5. ENCLOSURE: IP55
6. WITH THERMISTOR: PTC 140°C 3PCS
7. SHAFT MATERIAL: SCM440 Q&T (AISI 4140 EQUIV)
8. CORROSION PROOF

OUTLINE DIMENSIONS  
3-PHASE INDUCTION MOTOR

MOTOR TYPE	AEHHGD	FRAME NO.	445T
CATALOG NO.	CDP1504R	DATE	02-01-2018

TEC Westinghouse

DWG NO.  
31057G021300

DWG. C.COOK 02-01-18