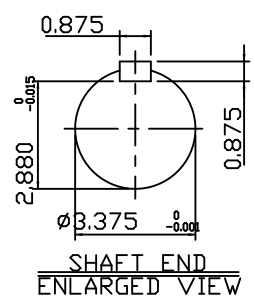
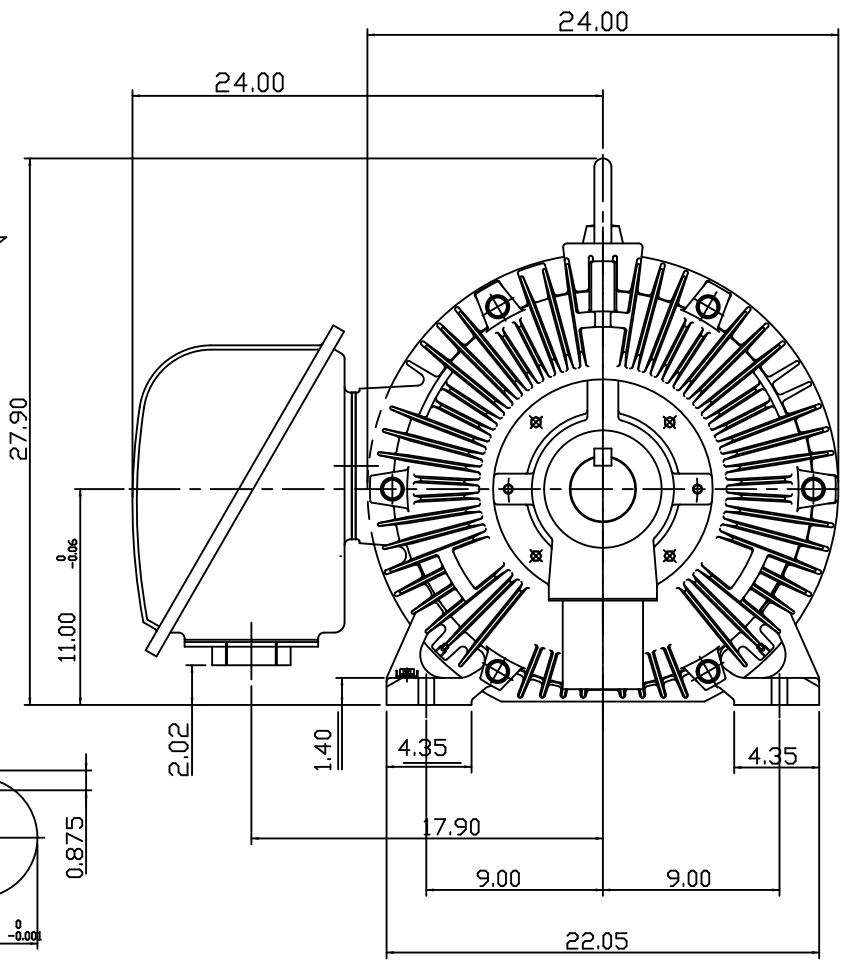
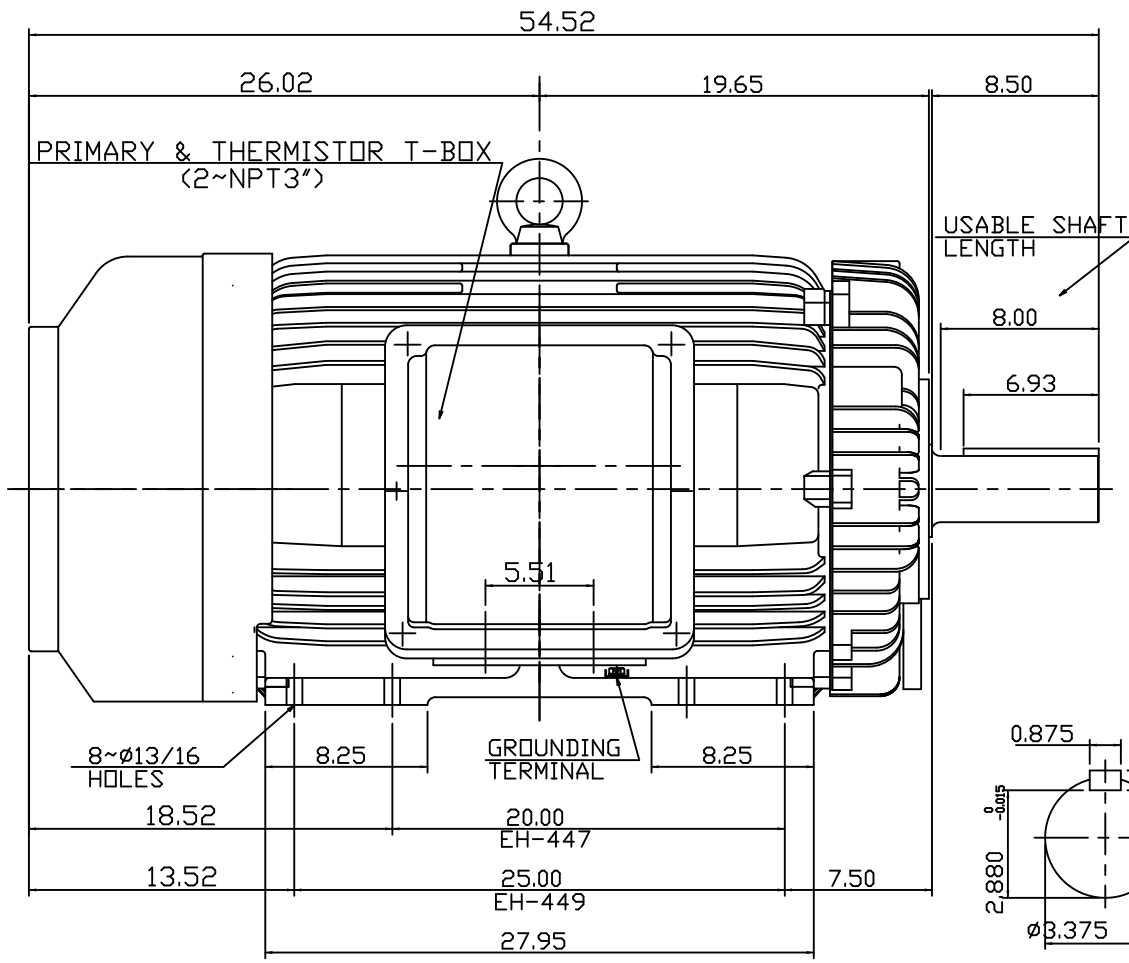


POLE	HP	kW	Hz	VOLT	r/min(RPM)	INS	RATING	DIMENSION IN	APPROX WEIGHT	BEARINGS
6	200	149	60	460	1200	F	CONT.	INCH	2783 LBS.	DE: 6320 NDE: 6316



- NOTE:
- DIMENSIONS IN INCHES
 - FRAME NO. 449T
 - F CLASS INSULATION, S.F.1.15
 - FOR BELT SERVICE
 - ENCLOSURE: IP55
 - WITH THERMISTOR: PTC 140°C 3PCS
 - SHAFT MATERIAL: SCM440 Q&T (AISI 4140 EQUIV)
 - CORROSION PROOF

OUTLINE DIMENSIONS			
3-PHASE INDUCTION MOTOR			
MOTOR TYPE	AEHHGD	FRAME NO.	449T
CATALOG NO.	CDP2006T	DATE	02-01-2018

			DWG NO.
			31057C562890
DWG.	C.COOK	02-01-18	