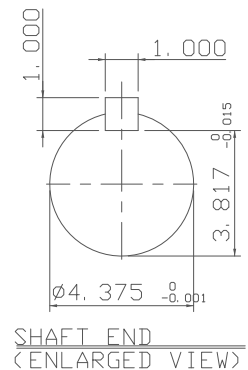
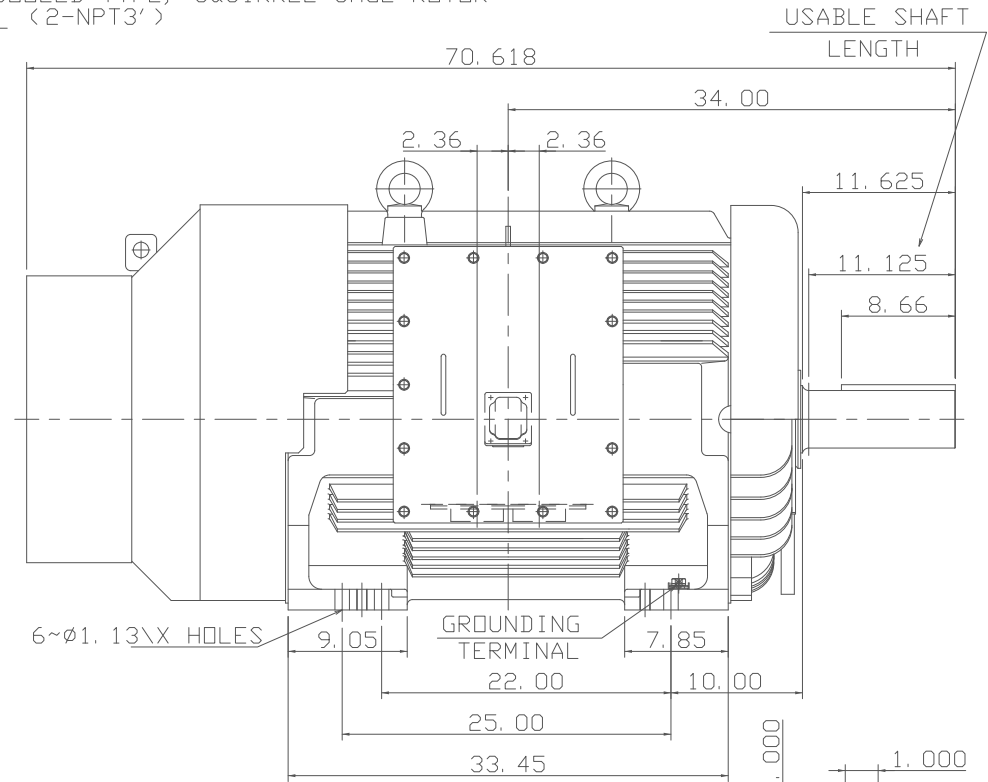
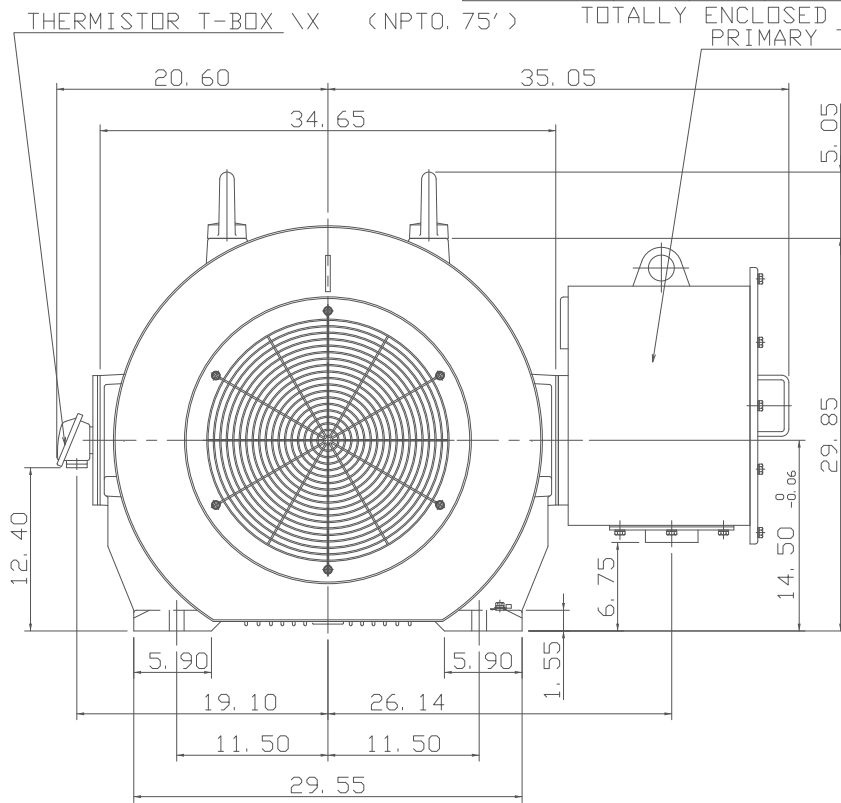


TYPE	OUTPUT		POLE	TIME RATING	VOLTAGE V	Hz	SYN. SPEED R. P. M
	HP.	kW.					
AEHH-GD	200	149.2	8	CONT.	460	60	900



- NOTE:
1. DIMENSIONS IN inch
 2. FRAME NO.586/7UZ
 3. F CLASS INSULATION, S. F. 1. 15
 4. FOR BELT DRIVE
 5. ENCLOSURE: IP55
 6. BEARING SIZE: DRIVE-END NU326C3
OPP. DRIVE-END 6322
 7. NON-SPARKING FAN
 8. WITH THERMISTOR: PTC 140°C 3PCS
 9. MOTOR APPROX. WEIGHT: 4460lb

DATE	FEB. 01, 2018	OUTLINE DIMENSIONS
CATALOG NO.:	CDP2008RZ	3-PHASE INDUCTION MOTOR
DWG NO.	REV: 02	4B040T903

DWN.	J. WANG	MAR. 10. 2017
CHKD.	H. HUANG	MAR. 10. 2017
APPD.	C. LIU	MAR. 10. 2017

TEC Westinghouse