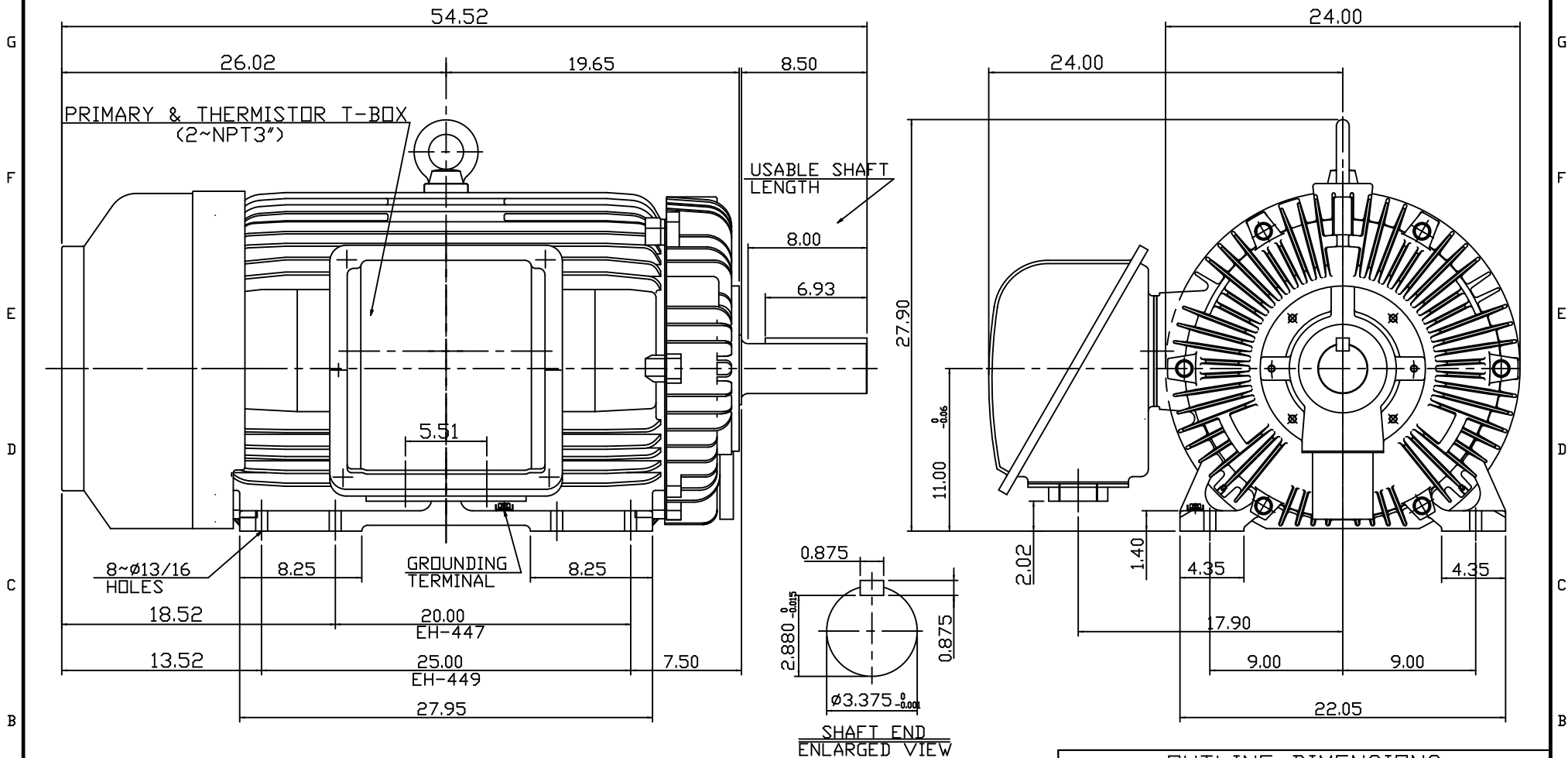


11	10	9	8	7	6	5	4	3	2	1
POLE	HP	kW	Hz	VOLT	r/min(RPM)	INS	RATING	DIMENSION IN	APPROX WEIGHT	BEARINGS
4	250	187	60	460	1800	F	CONT.	INCH	2750 LBS.	DE: 6320 NDE: 6316



NOTE:

1. DIMENSIONS IN INCHES
2. FRAME NO. 447TZ
3. F CLASS INSULATION, S.F.1.15
4. FOR BELT SERVICE
5. ENCLOSURE: IP55
6. WITH THERMISTOR: PTC 140°C 3PCS
7. SHAFT MATERIAL: SCM440 Q&T (AISI 4140 EQUIV)
8. CORROSION PROOF

OUTLINE DIMENSIONS			
3-PHASE INDUCTION MOTOR			
MOTOR TYPE	AEHGD	FRAME NO.	449T
CATALOG NO.	CDP2504TB	DATE	02-01-2018

DWG.	C.COOK	02-01-18		DWG NO.	31057C562890