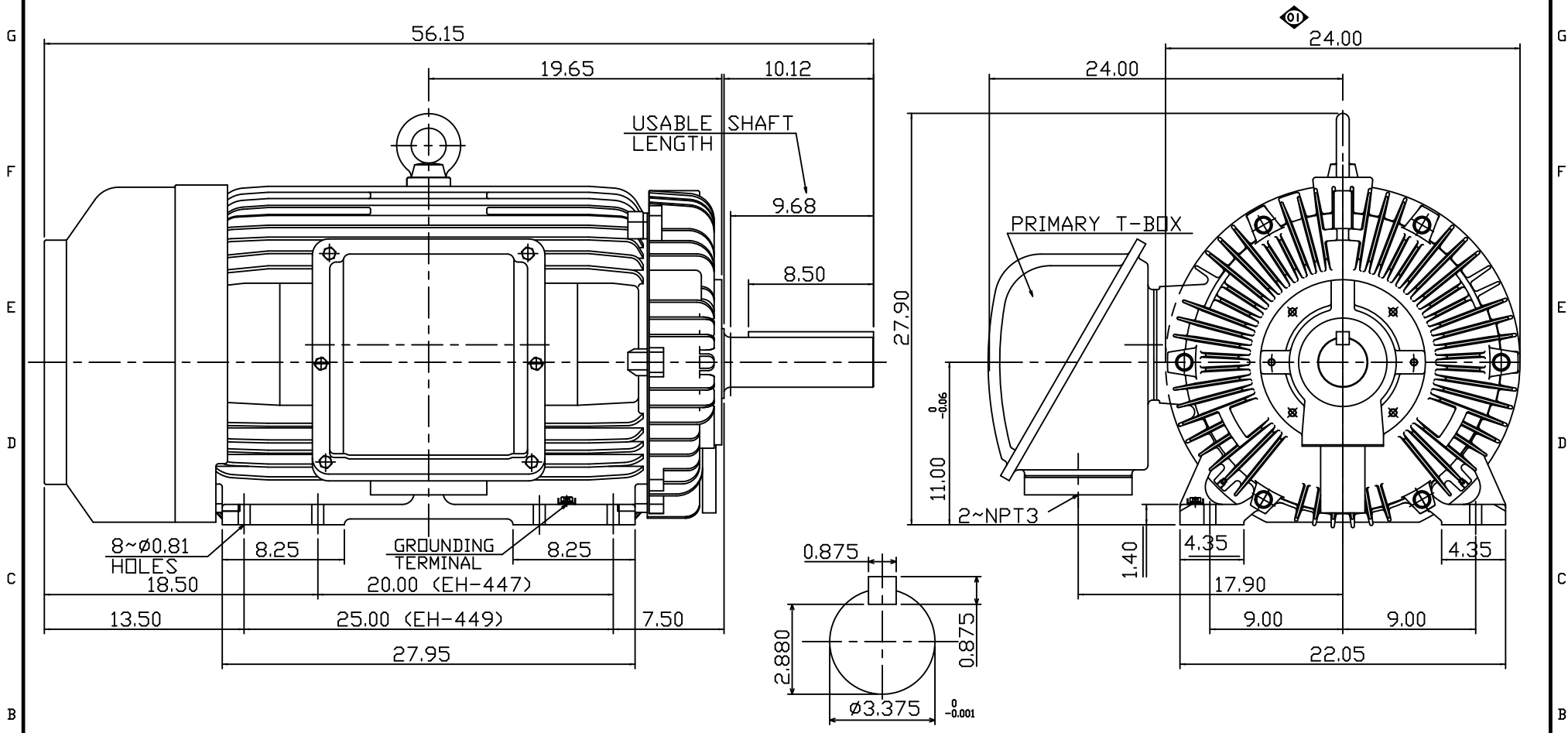


11 10 9 8 7 6 5 4 3 2 1

POLE	HP	kW	Hz	VOLT	r/min(RPM)	INS	RATING	DIMENSION IN	APPROX WEIGHT	BEARINGS
4	300	224	60	460	1800	F	CONT.	INCH	2865 LBS.	DE: NU320 NDE: 6316



NOTE:

1. DIMENSIONS IN INCHES
2. FRAME NO. 449TZ
3. F CLASS INSULATION, S.F.1.15
4. FOR BELT SERVICE
5. ENCLOSURE: IP55
6. WITH THERMISTOR: PTC 140°C 3PCS
7. SHAFT MATERIAL: SCM440 Q&T (AISI 4140 EQUIV)
8. CORROSION PROOF

SHAFT END ENLARGED VIEW

OUTLINE DIMENSIONS
3-PHASE INDUCTION MOTOR

MOTOR TYPE	AEHHGD	FRAME NO.	449TZ
CATALOG NO.	CDP3004TR	DATE	02-01-2018

DWG.	C.COOK	02-01-18		DWG NO.	31057G020271

11 10 9 8 7 6 5 4 3 2 1