

DATE  
FEBRUARY 23, 2007  
CATALOG NO.  
DHP01565

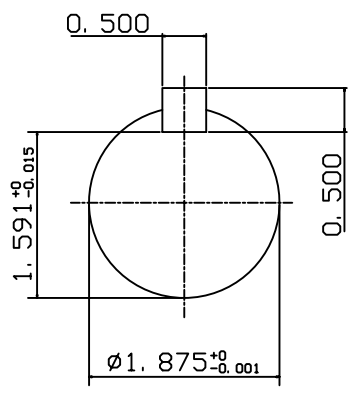
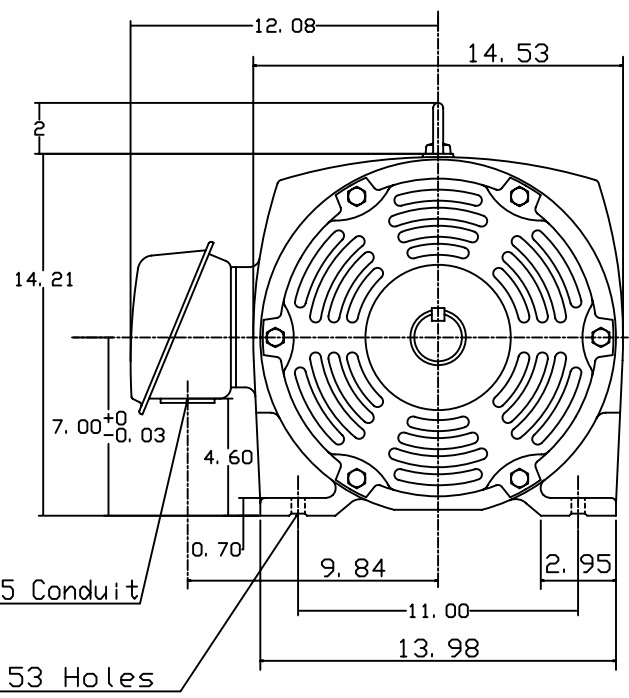
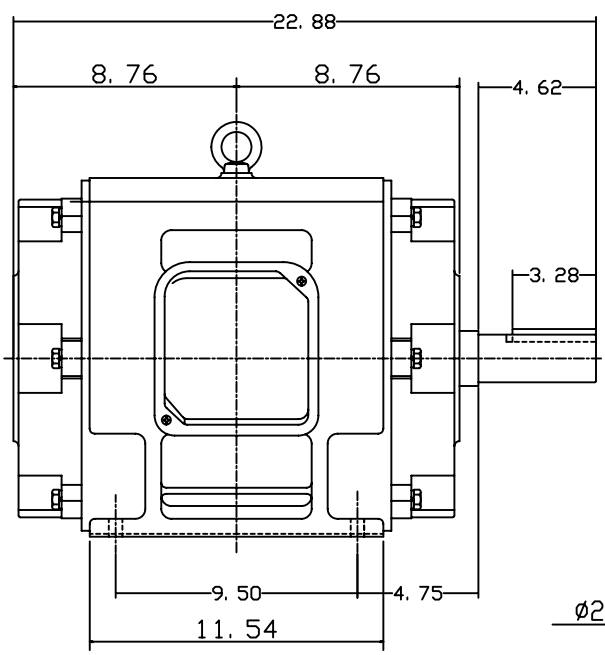
OUTLINE DIMENSIONS  
3-PHASE INDUCTION MOTOR

MOTOR TYPE:  
ASHH  
FRAME NO. 284T

Pole	HP	KW	Hz	VOLT	Syn. Speed RPM
6	15	11.2	60	575	1200

Ins	Rating	Dimension in	Approx Weight	Bearings
F	CONT.	inch	357 lbs.	DE: 6311ZZ NDE: 6310ZZ

Open Protected Drip-Proof Type. Squirrel-cage Rotor.



◇		
---	--	--

DWN.	J. H. LIANG	12-22-98
CHKD.	C. H. KAO	06-10-99
APPD.	Y. B. HUANG	06-10-99



DWG NO.  
31057H386000