

DATE
February 24, 2007
CATALOG NO.
DHP03065

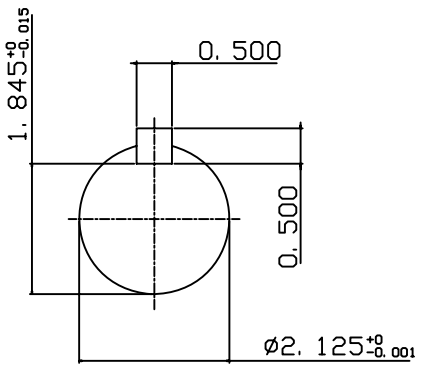
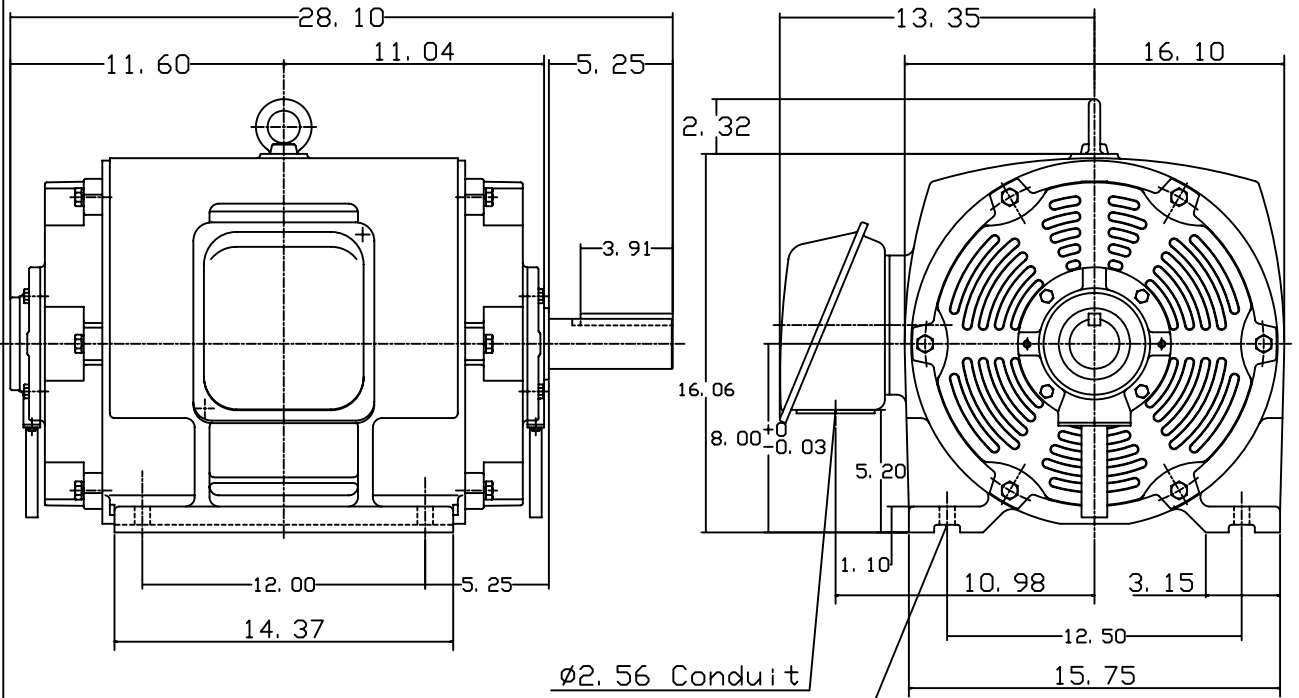
OUTLINE DIMENSIONS
3-PHASE INDUCTION MOTOR

MOTOR TYPE:
ASHH
FRAME NO. 326T

Pole	HP	KW	Hz	VOLT	Syn. Speed RPM
6	30	22.38	60	575	1200

Ins	Rating	Dimension in	Approx Weight	Bearings	
F	CONT.	inch	595 lbs.	DE: 6213	NDE: 6213

Open Protected Drip-Proof Squirrel-Cage Rotor.



0		
---	--	--

DWN.	J. H. LIANG	12-22-98
CHKD.	C. H. KAO	06-10-99
APPD.	Y. B. HUANG	06-10-99



DWG NO.
31057H392000