

DATE
February 24, 2007
CATALOG NO.
DHP05025

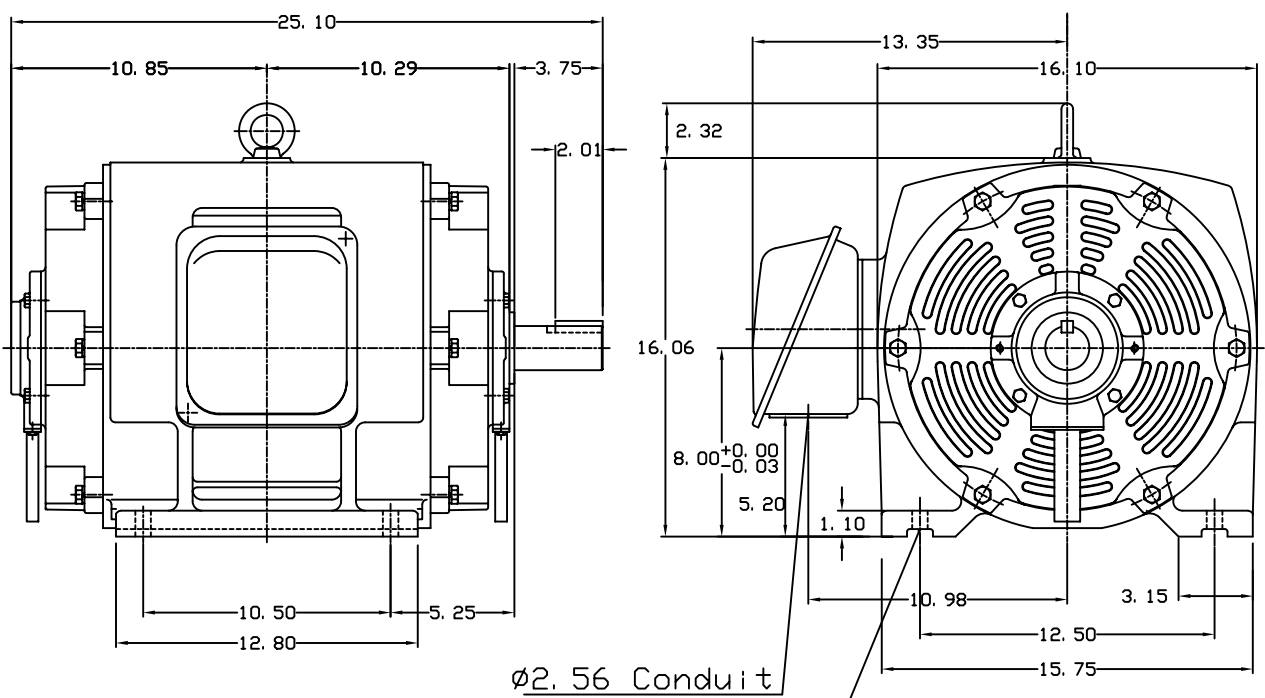
OUTLINE DIMENSIONS
3-PHASE INDUCTION MOTOR

MOTOR TYPE:
ASHH
FRAME NO. 324TS

Pole	HP	KW	Hz	VOLT	Syn. Speed RPM
2	50	37	60	575	3600

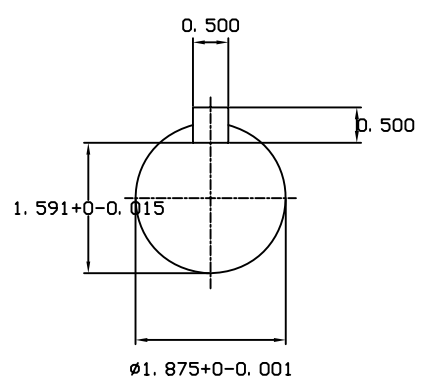
Ins	Rating	Dimension in	Approx Weight	Bearings
F	CONT.	inch	518 lbs.	DE: 6213C3 NDE: 6213C3

Open Protected Drip-Proof Squirrel-Cage Rotor.



Ø2.56 Conduit

4-Ø0.66 Holes



◇		
---	--	--

DWN.	J. H. LIANG	12-22-98
CHKD.	C. H. KAO	06-10-99
APPD.	Y. B. HUANG	06-10-99



DWG NO.
31057H389000