

DATE
February 24, 2007
CATALOG NO.
DHP06065

OUTLINE DIMENSIONS

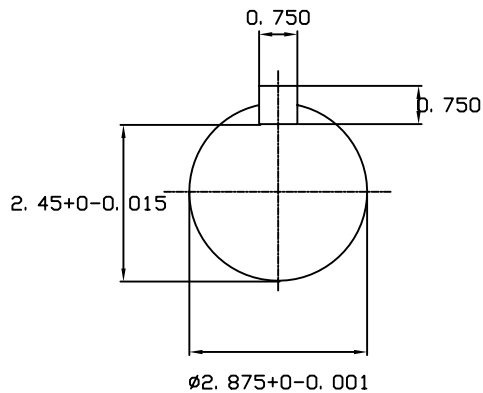
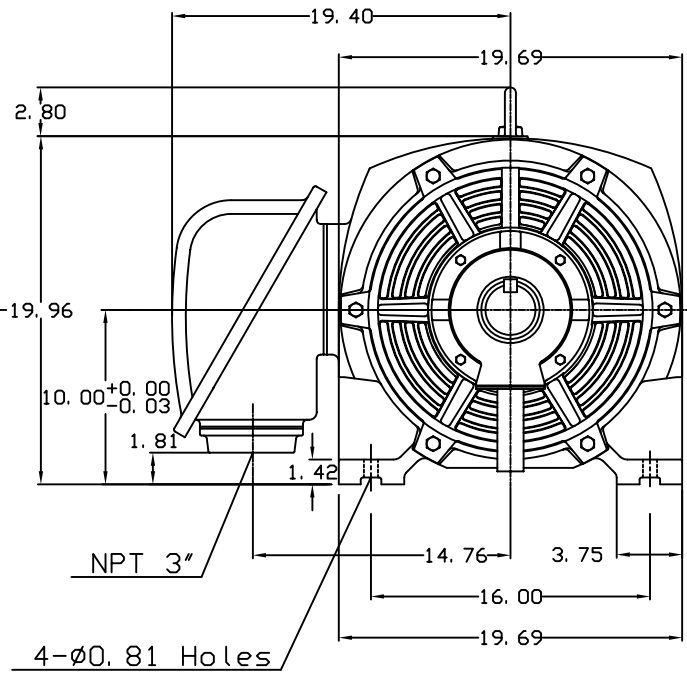
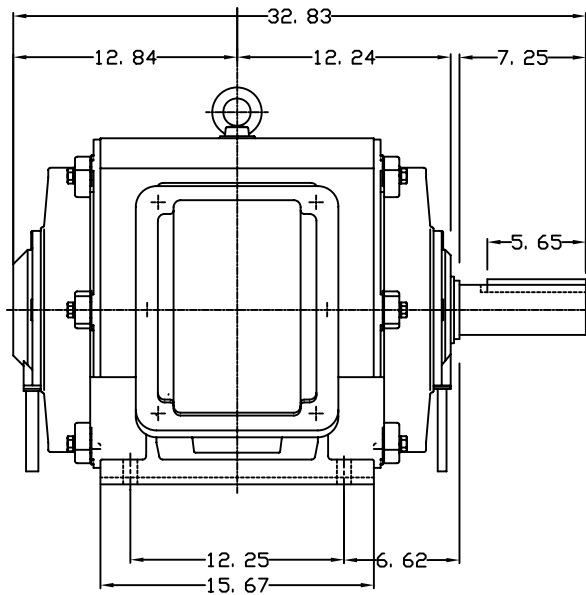
3-PHASE INDUCTION MOTOR

MOTOR TYPE:
ASHH
FRAME NO. 404T

| Pole | HP | KW | Hz | VOLT | Syn. Speed RPM |
|------|----|----|----|------|-------------------|
| 6 | 60 | 45 | 60 | 575 | 1200 |

| Ins | Rating | Dimension in | Approx Weight | Bearings |
|-----|--------|--------------|---------------|--------------------|
| F | CONT. | inches | 948 lbs. | DE: 6317 NDE: 6317 |

Open Protected Drip-Proof Type, Squirrel-cage Rotor.



| | | |
|-------|-------------|----------|
| DWN. | J. H. LIANG | 12-22-98 |
| CHKD. | C. H. KAD | 06-10-99 |
| APPD. | Y. B. HUANG | 06-10-99 |

TECO Westinghouse

DWG NO.
31057H398000