

DATE
February 24, 2007
CATALOG NO.
DHP12545R

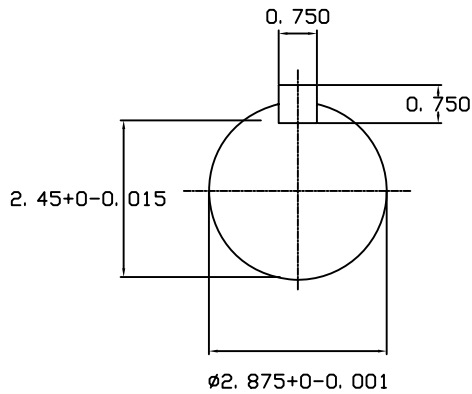
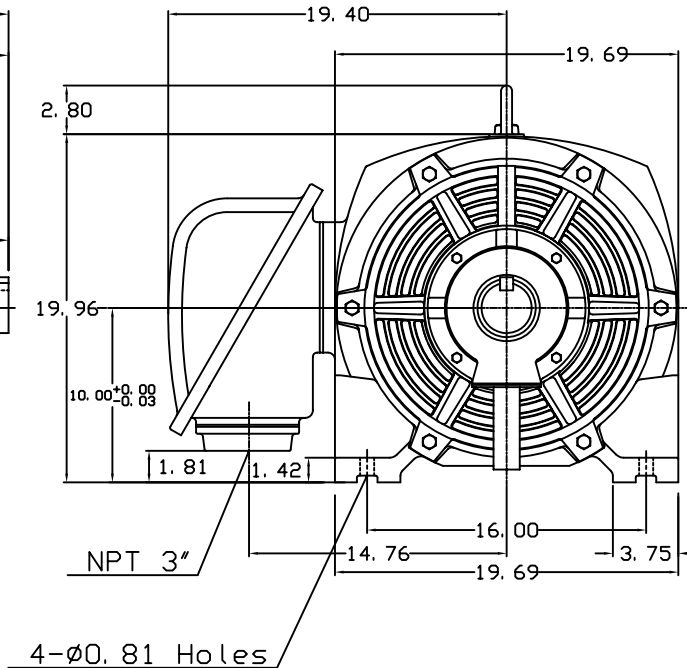
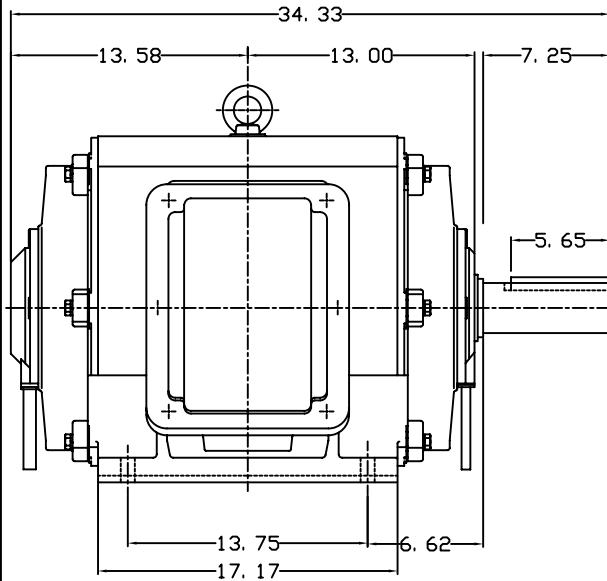
OUTLINE DIMENSIONS
3-PHASE INDUCTION MOTOR

MOTOR TYPE:
ASHH
FRAME NO. 405T

Pole	HP	KW	Hz	VOLT	Syn. Speed RPM
4	125	93.25	60	575	1800

Ins	Rating	Dimension in	Approx Weight	Bearings
F	CONT.	inches	1058 lbs.	DE: NU317 NDE: 6317

Open Protected Drip-Proof Type, Squirrel-cage Rotor.



DWN.	J. H. LIANG	12-22-98
CHKD.	C. H. KAD	06-10-99
APPD.	Y. B. HUANG	06-10-99

J:\Sales-Mkt\Tframe\TECH-SUP\Auto Cad Drawings\Newlogoblackwhite_1.tif

DWG NO.
31057H400001