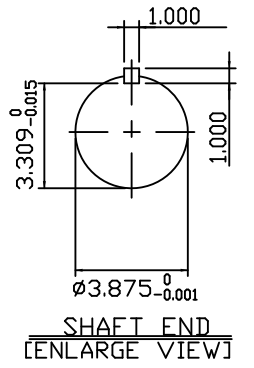
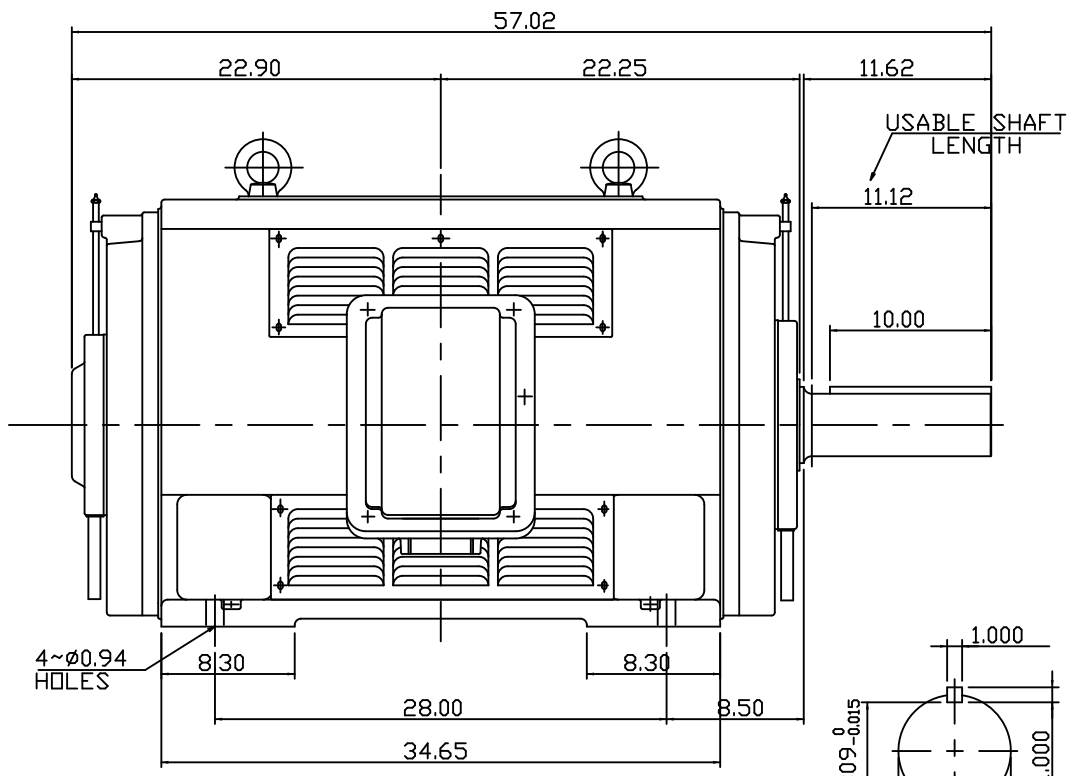
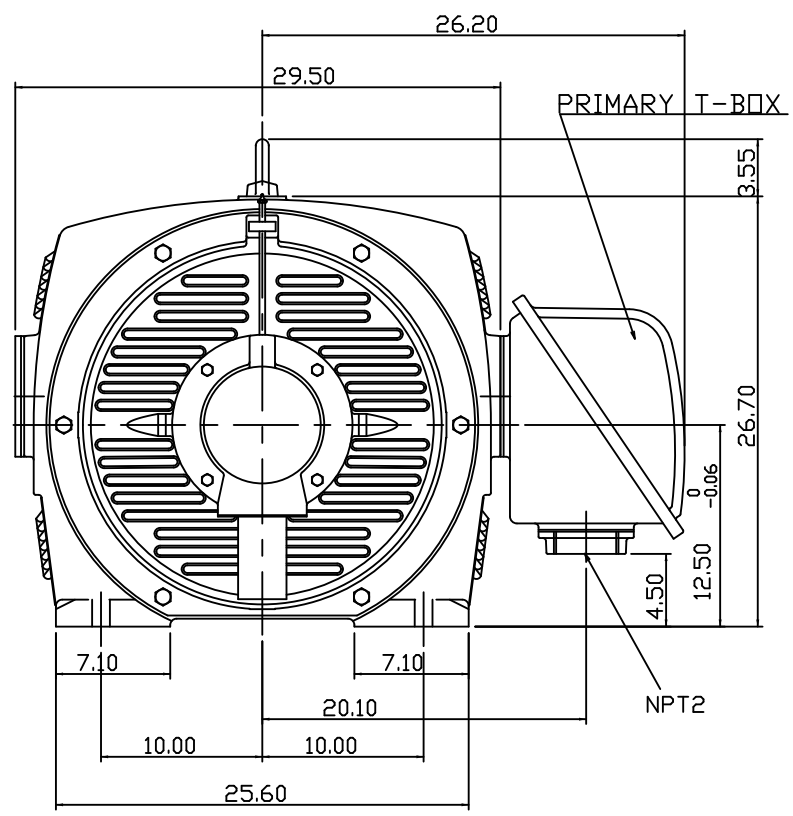


| TYPE | OUTPUT |       | POLE | TIME RATING | VOLTAGE V | Hz | SYN.SPEED R.P.M |
|------|--------|-------|------|-------------|-----------|----|-----------------|
|      | HP.    | kW.   |      |             |           |    |                 |
| ASHH | 400    | 298.4 | 6    | CONT.       | 460       | 60 | 1200            |

DRIP PROOF TYPE, SQUIRREL-CAGE ROTOR



- NOTE:
- DIMENSIONS IN INCH
  - FRAME NO. 5009B
  - F CLASS INSULATION
  - FOR DIRECT FLEXIBLE COUPLING
  - ENCLOSURE: IP22
  - BEARING SIZE: DRIVE END NU324  
OPP. DRIVE END 6320
  - MOTOR APPROX. WEIGHT: 3835 LBS

TW-56C

|                  |              |                                   |
|------------------|--------------|-----------------------------------|
| DATE             | JULY 9, 2010 | OUTLINE DIMENSIONS                |
| CATALOG NO.      | DHP4006R     | 3-PHASE INDUCTION MOTOR           |
| DWN.             | H.CHEN       | JUL 05 2010                       |
| CHKD.            | W.WENG       | JUL 05 2010                       |
| APPD.            | T.HSIAD      | JUL 05 2010                       |
| TEC Westinghouse |              | DWG NO. REV: 00<br>3A049DTA0013-9 |