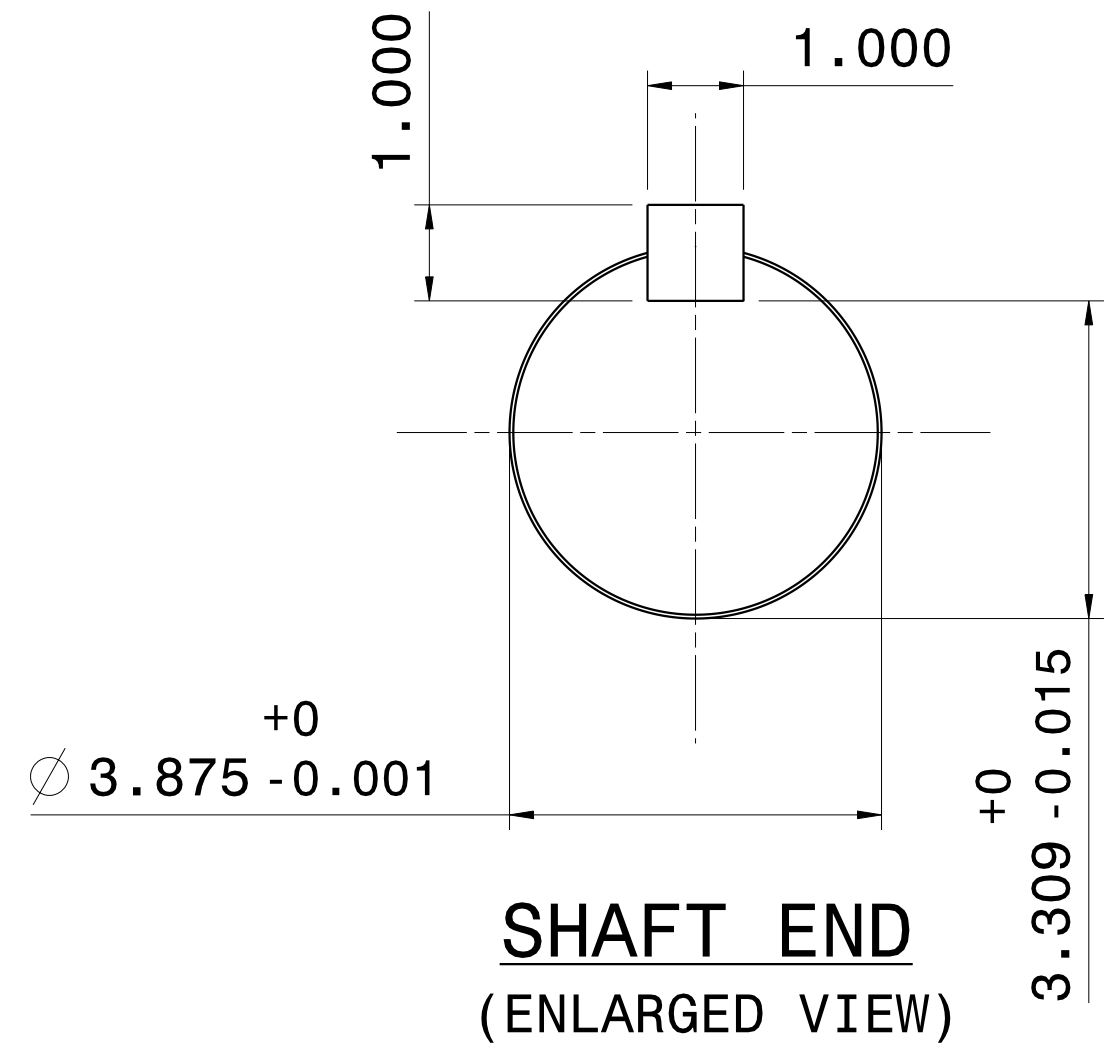
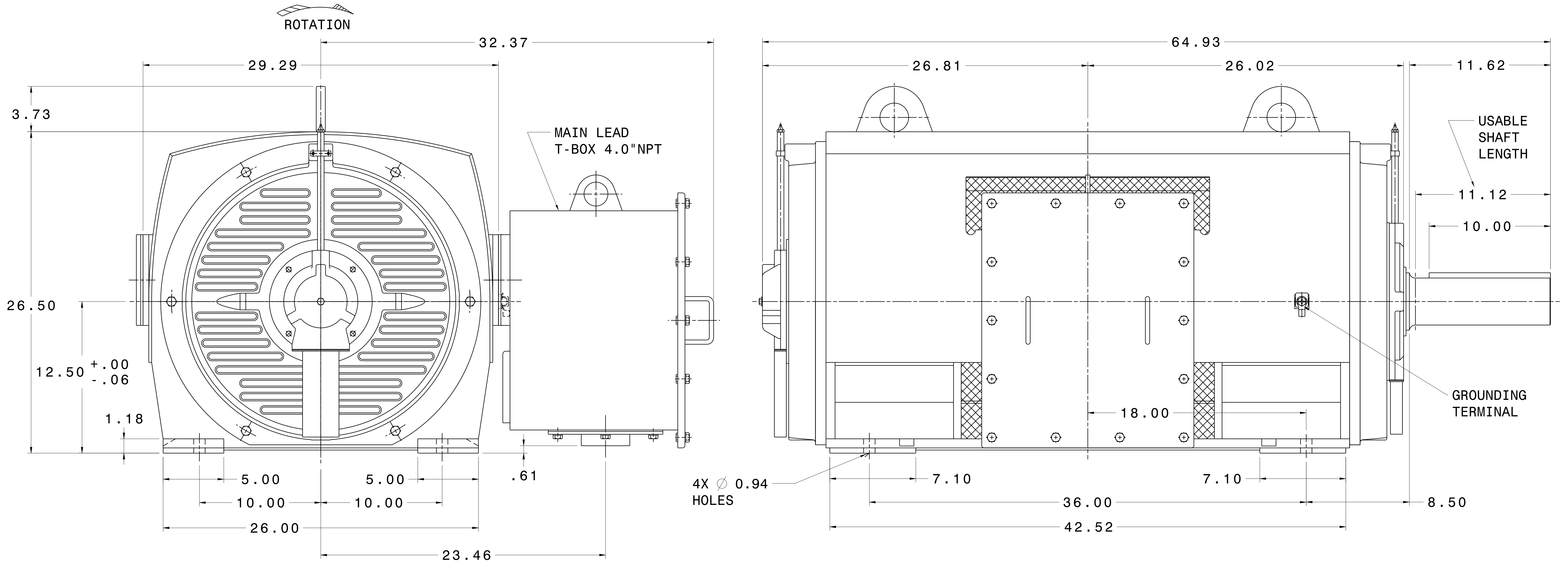


CATALOG #	TYPE	FRAME	OUTPUT		POLE	SYN. SPEED R.P.M.	VOLTAGE V.	Hz.	TIME RATING	INSULATION CLASS	SERVICE FACTOR	BEARINGS		WEIGHT LBS
			HP	KW								DE	NDE	
DHP60045R	ASHH	5011B	600	447.4	4	1800	575	60	CONT.	F	1.15	6324	6320	3650

DRIP PROOF TYPE. SQUIRREL CAGE ROTOR



- NOTES:
1. DIMENSIONS IN INCH.
 2. ENCLOSURE: IP22.
 3. FOR DIRECT FLEXIBLE COUPLING.
 4. PROVISION FOR BEARING RTD MOUNTING: 2X .50" NPT PER BRACKET.

REF: 4B040T802	REV. DATA			REV NO	01
	TECO Westinghouse			DWG NO.	
	3-PHASE INDUCTION MOTOR OUTLINE DIMENSIONS			DHP60045R	
	DWN K. MILNER	080917	APPD T. FELPS	080917	
TECO-WESTINGHOUSE MOTOR COMPANY			ROUND ROCK, TEXAS USA		