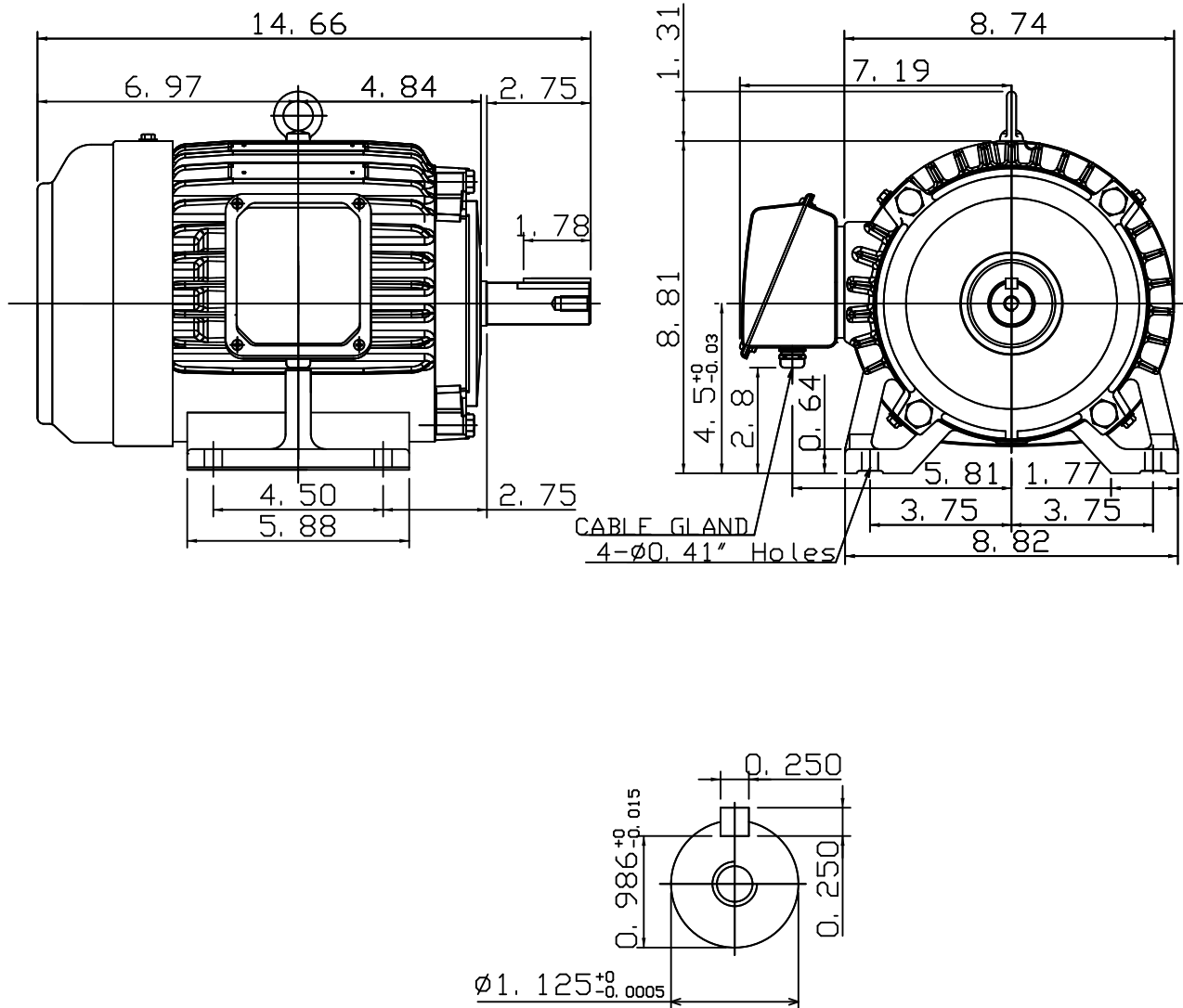


DATE: JUNE 27, 2019
 CATALOG NO.: DM0034

OUTLINE DIMENSIONS
 PERMANENT MAGNET MOTOR

MOTOR TYPE: DVEM
 FRAME NO. 182T

Pole	HP	kW	Hz	VOLT	r/min(rpm)
6	3	2.2	90	460	1800
Ins	Rating	Dimension in	Approx Weight	Bearings	
F	CONT.	inch	66 lbs	DE: 6306ZZ NDE: 6306ZZ	



Note: 1. IP55 Protection
 2. CABLE GLAND(PF1/2")
 SUITABLE FOR RANGE
 $\phi 0.27 \sim \phi 0.47$

① 06. 20. 19

邱柏人

E8195535T2

DWG.	Mahato	04·16·19
CHKD.	P. Z. HSIEH	04·25·19
APPD.	M. C. JENG	04·25·19

TECO Westinghouse

DWG NO.
 31049R317011