

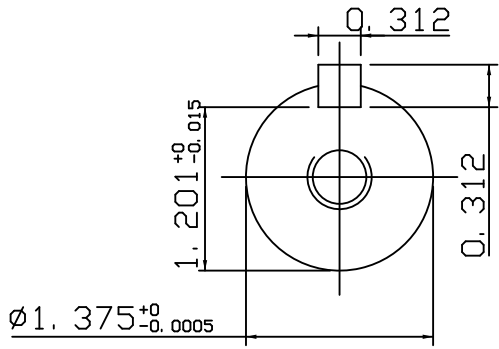
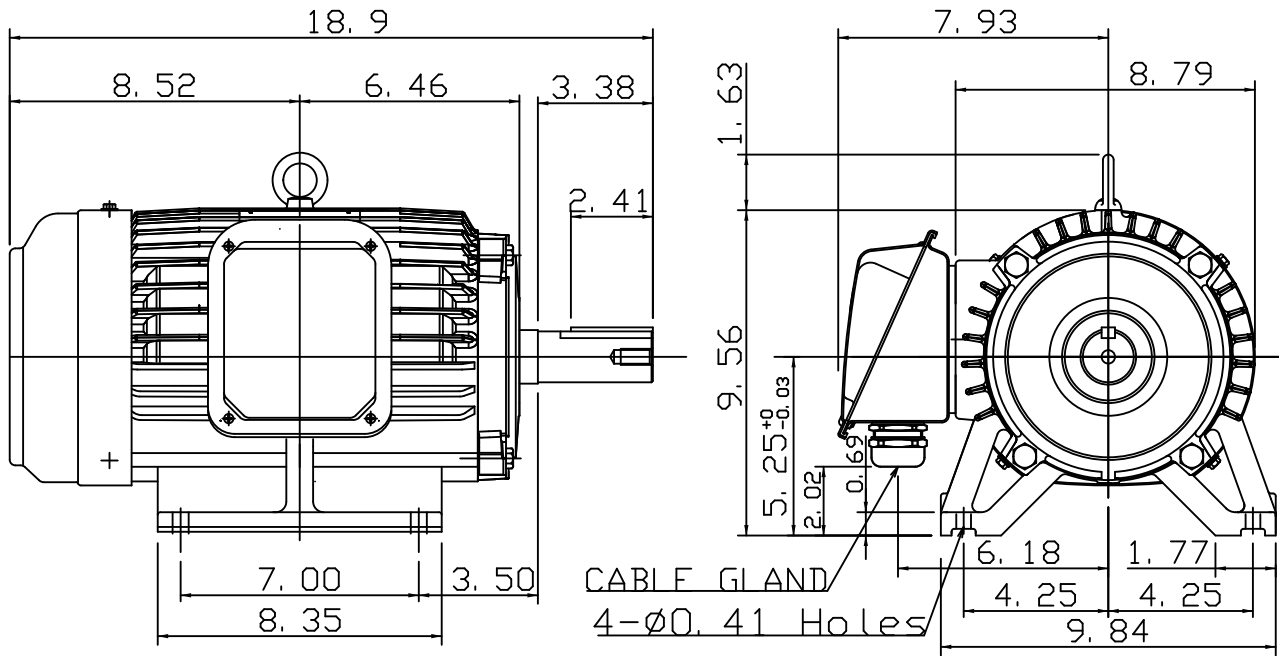
DATE: JUNE 27, 2019
 CATALOG NO.: DM0104

OUTLINE DIMENSIONS
 PERMANENT MAGNET MOTOR

MOTOR TYPE: DVEM
 FRAME NO. 215T

Pole	HP	kW	Hz	VOLT	r/min(rpm)
6	10	7.5	90	460	1800

Ins	Rating	Dimension in	Approx Weight	Bearings
F	CONT.	inch	115 lbs	DE: 6308ZZ NDE: 6306ZZ



Note: 1. IP55 Protection
 2. CABLE GLAND(PF 1")
 SUITABLE FOR RANGE
 Ø0.71~Ø0.98

06.20.19

邱柏人

E8195538T2

DWG.	Mahato	04-17-19
CHKD.	P. Z. HSIEH	04-25-19
APPD.	M. C. JENG	04-25-19



DWG NO.
 31049R320011