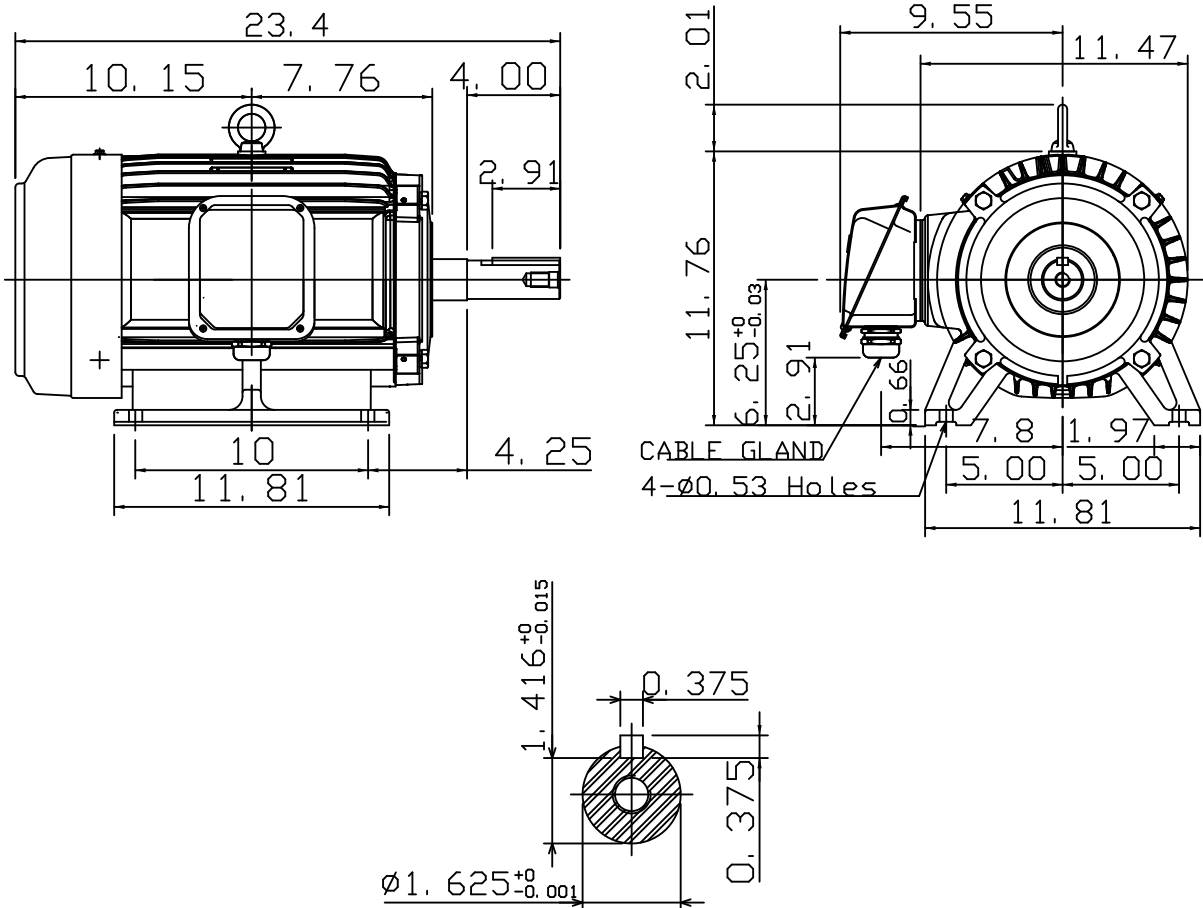


DATE: JUNE 27, 2019	OUTLINE DIMENSIONS PERMANENT MAGNET MOTOR	MOTOR TYPE: DVEM
CATALOG NO.: DMO204		FRAME NO. 256T

Pole	HP	kW	Hz	VOLT	r/min(rpm)
6	20	15	90	460	1800
Ins	Rating	Dimension in	Approx Weight	Bearings	
F	CONT.	inch	196 lbs	DE: 6309ZZ NDE: 6307ZZ	



Note: 1. IP55 Protection  
 2. CABLE GLAND(PF 1")  
 SUITABLE FOR RANGE  
 $\phi 0.71 \sim \phi 0.98$

① 06. 20. 19	邱柏人	E8195540T2
--------------	-----	------------

DWG.	Mahato	05·02·19	TEC   Westinghouse	DWG NO.
CHKD.	P. Z. HSIEH	05·06·19		31057M045021
APPD.	M. C. JENG	05·06·19		

R