

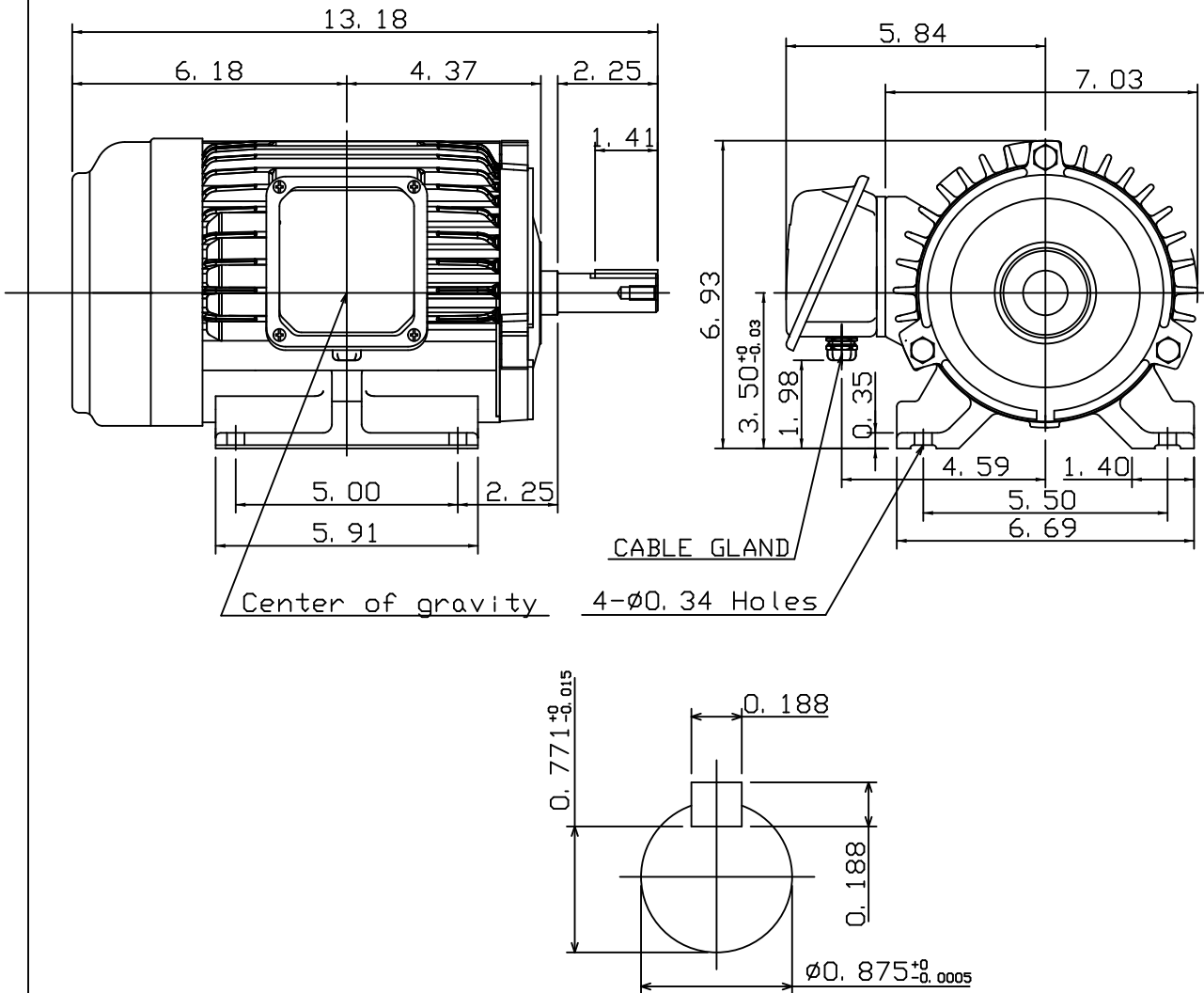
DATE: NOV 27, 2019
 CATALOG NO.: DM1/54

OUTLINE DIMENSIONS
 PERMANENT MAGNET MOTOR

MOTOR TYPE: DVEM
 FRAME NO. 145T

Pole	HP	kW	Hz	VOLT	r/min(rpm)
6	1.5	1.12	90	460	1800

Ins	Rating	Dimension in	Approx Weight	Bearings
F	CONT.	inch	46 lbs	DE: 6205ZZ NDE: 6205ZZ



Note: 1. IP55 Protection
 2. CABLE GLAND(PF1/2")
 SUITABLE FOR RANGE
 $\phi 0.27 \sim \phi 0.47$

③ 06.20.19 邱柏人

DWG.	B. R. Chiu	08-07-18
CHKD.	P. Z. HSIEH	08-07-18
APPD.	L. S. Hung	08-07-18



DWG NO.
 31049R316033