

DATE  
Sept. 8, 2005  
CAT. #: EPO016-50

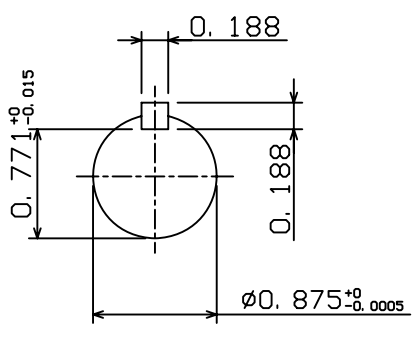
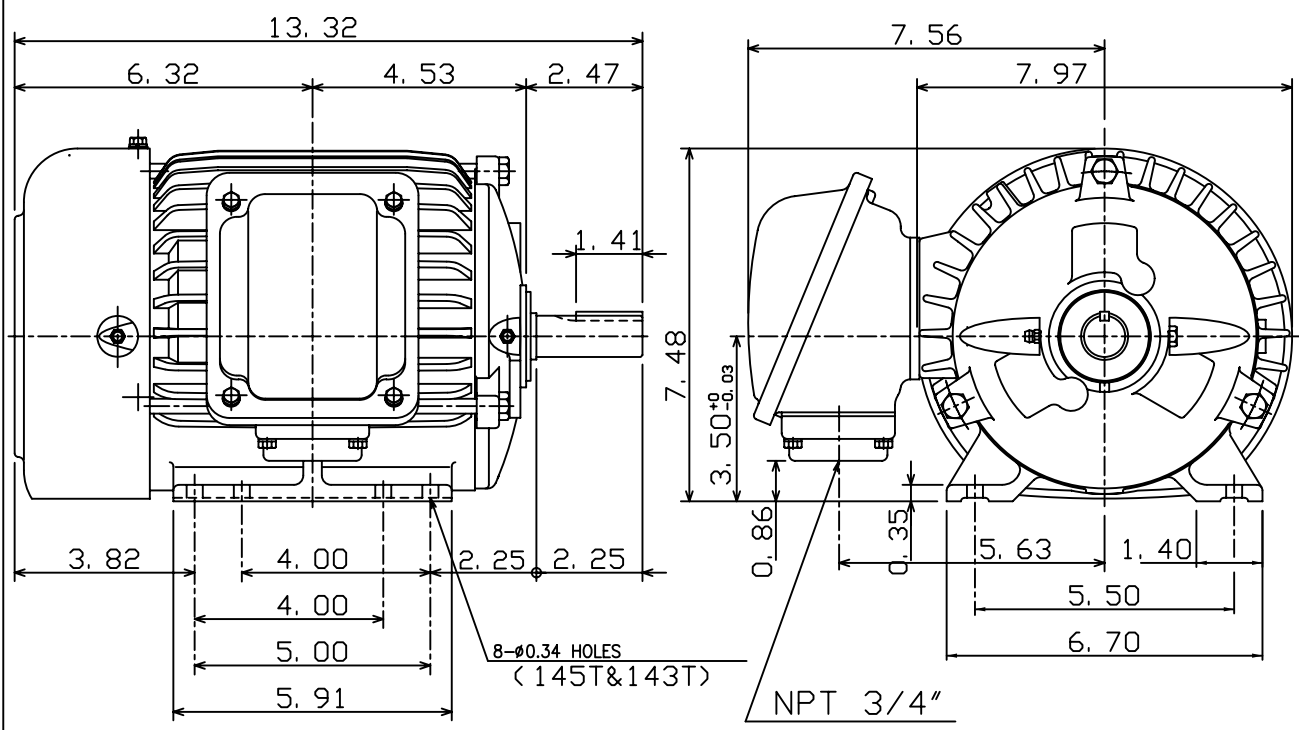
OUTLINE DIMENSIONS  
3-PHASE INDDUCTION MOTOR

MOTOR TYPE:  
AEHH8N  
FRAME NO. 145T

| Pole | HP | kW  | Hz | VOLT    | Syn. Speed<br>r/min(rpm) |
|------|----|-----|----|---------|--------------------------|
| 6    | 1  | .75 | 50 | 190/380 | 1000                     |

| Ins | Rating | Dimension in | Approx Weight | Bearings               |
|-----|--------|--------------|---------------|------------------------|
| F   | CONT.  | inches       | 60 lbs.       | DE: 6205ZZ NDE: 6205ZZ |

Totally Enclosed Fan-Cooled Type. Squirrel-Cage Rotor.



|   |  |  |
|---|--|--|
| ◇ |  |  |
|---|--|--|

|       |            |          |
|-------|------------|----------|
| DWN.  | C. S. LO   | 12-22-04 |
| CHKD. | C. S. LO   | 12-27-04 |
| APPD. | M. C. TSAI | 12-27-04 |



DWG NO.  
31057H352080