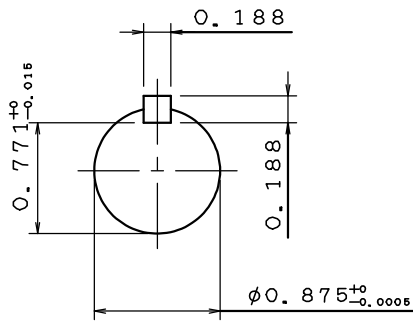
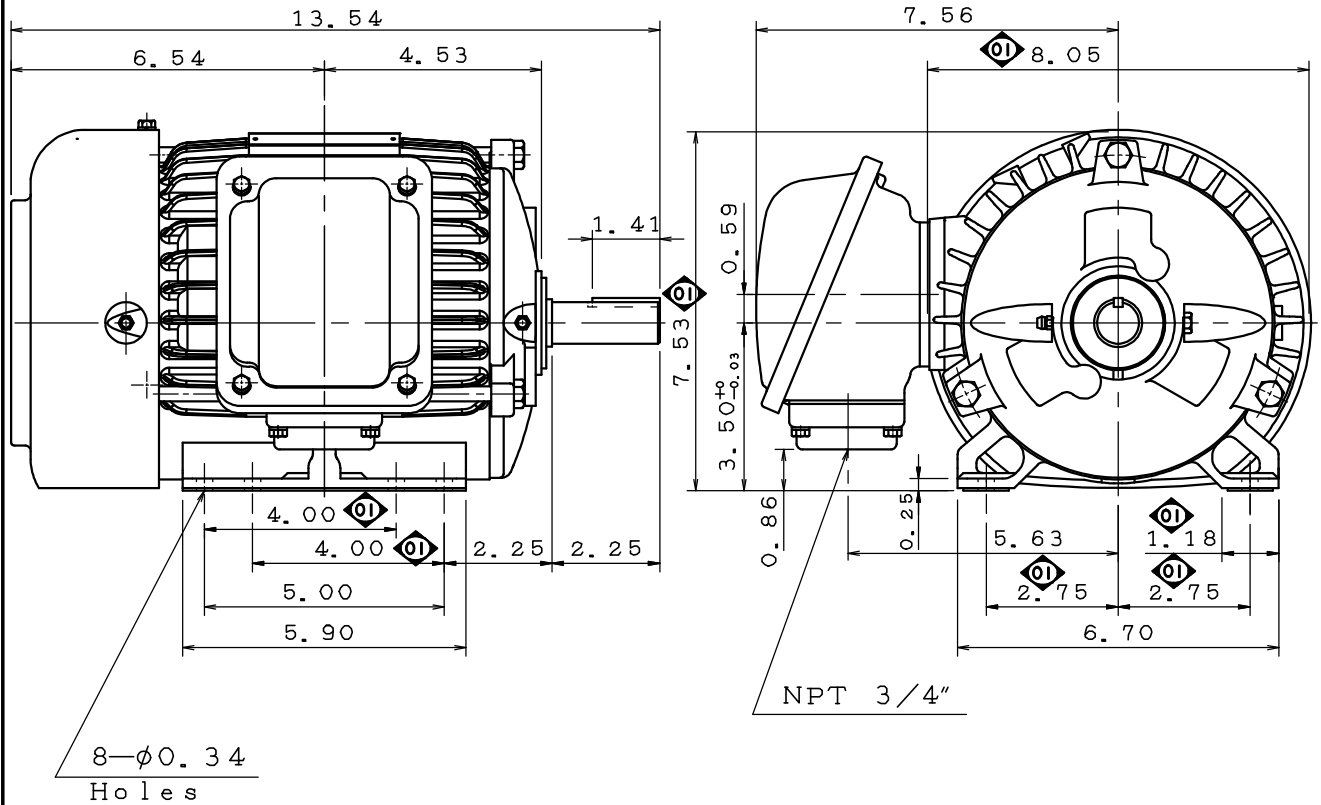


DATE APRIL 1, 2020	OUTLINE DIMENSIONS	MOTOR TYPE: AEHH8N
CATALOG NO.: EP0024		3-PHASE INDUCTION MOTOR

Pole	HP	kW	Hz	VOLT	r/min(rpm)
4	2	1.5	60	230/460	1800

Ins	Rating	Dimension in	Approx Weight	Bearings
F	CONT.	Inch	① 59 lbs	DE:6205ZZ NDE:6205ZZ

Totally Enclosed Fan-Cooled Type. Squirrel-Cage Rotor.



① 07 23 19	Weight & Dimensions	Mahato
------------	---------------------	--------

DWG.	W. F. PON	05.21.19	TECO Westinghouse	DWG NO.
CHKD.	M. C. JENG	05.30.19		31049R340021
APPD.	M. C. JENG	05.30.19		