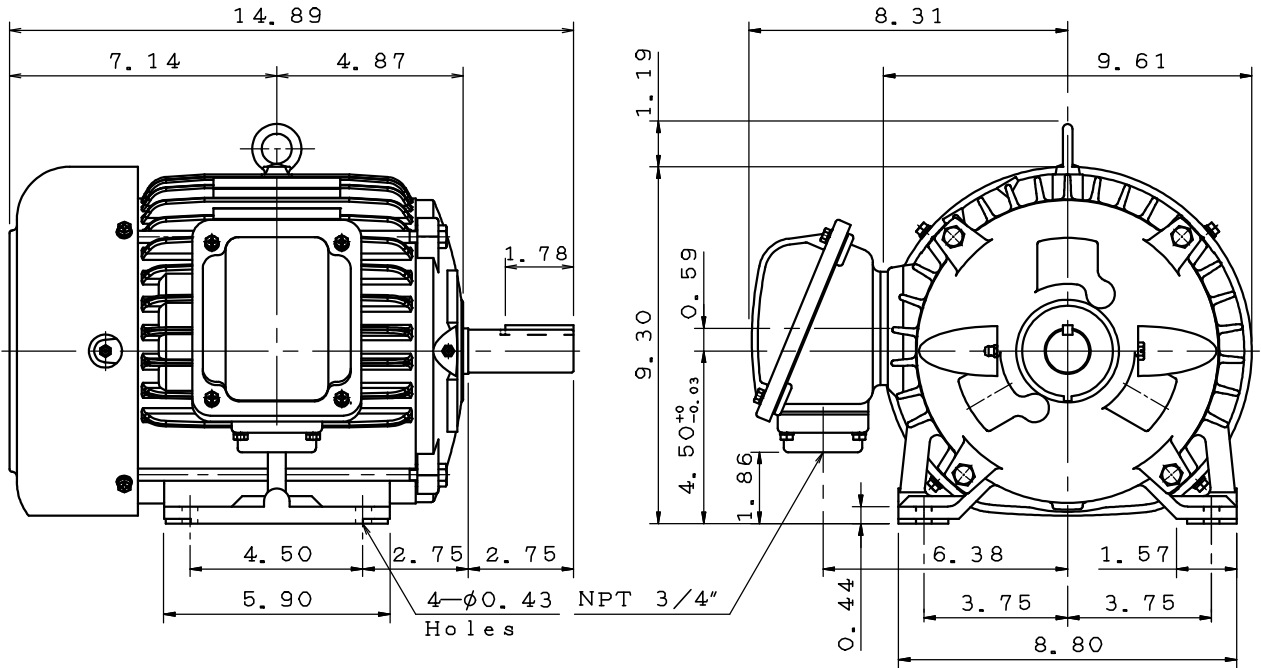


DATE APRIL 1, 2020	OUTLINE DIMENSIONS	MOTOR TYPE: AEHH8N
CATALOG NO.: EP0032		3-PHASE INDUCTION MOTOR

Pole	HP	kW	Hz	VOLT	r/min(rpm)
2	3	2.2	60	230/460	3600

Ins	Rating	Dimension in	Approx Weight	Bearings
F	CONT.	Inch	92 lbs	DE: 6306ZZ NDE: 6306ZZ <sup>①</sup>

Totally Enclosed Fan-Cooled Type. Squirrel-Cage Rotor.



①	08 08 19	NDE Bearing Changed	Mahato
---	----------	---------------------	--------

DWG.	Mahato	07.25.19	<b>TECO</b> <sup>®</sup> <b>Westinghouse</b>	DWG NO.
CHKD.	M. C. JENG	07.26.19		31049R341101
APPD.	M. C. JENG	07.26.19		