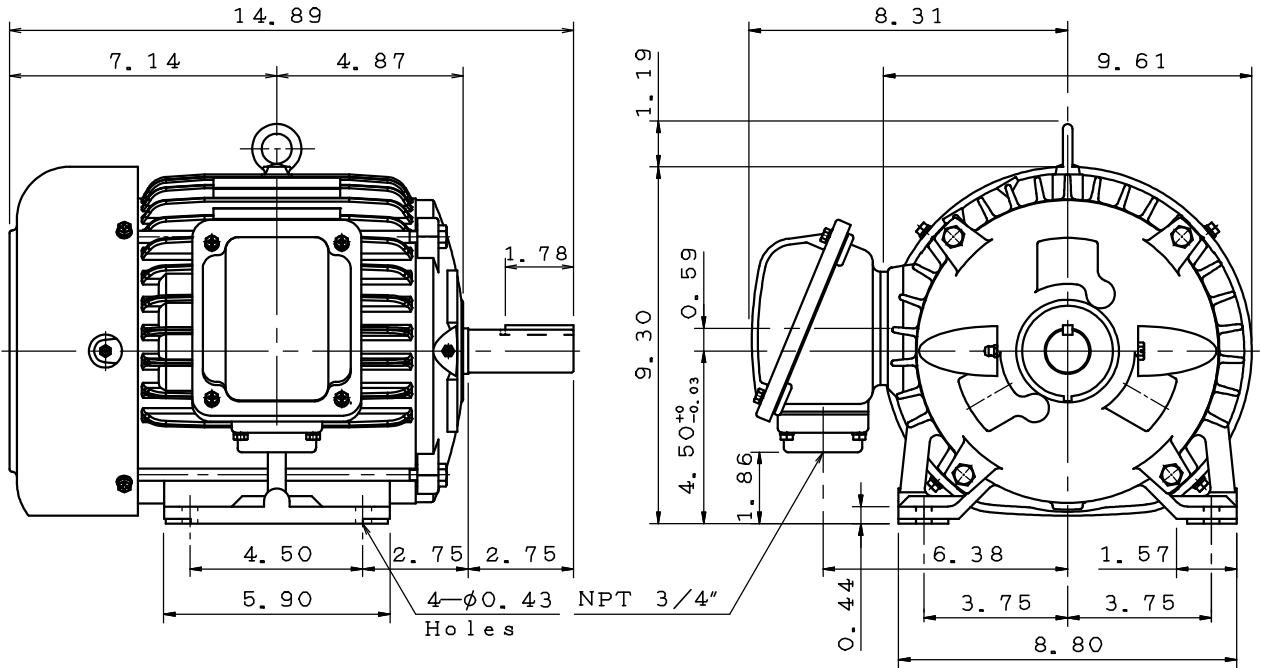


DATE APRIL 1, 2020	OUTLINE DIMENSIONS	MOTOR TYPE: AEHH8N
CATALOG NO.: EP0034		3-PHASE INDUCTION MOTOR

Pole	HP	kW	Hz	VOLT	r/min (rpm)
4	3	2.2	60	230/460	1800

Ins	Rating	Dimension in	Approx Weight	Bearings
F	CONT.	Inch	96 lbs	DE: 6306ZZ NDE: 6306ZZ

Totally Enclosed Fan-Cooled Type. Squirrel-Cage Rotor.



2	08 08 19	NDE Bearing Changed	Mahato
---	----------	---------------------	--------

DWG.	W. F. PON	05•21•19	<b>TECO</b> <b>Westinghouse</b>	DWG NO.
CHKD.	M. C. JENG	05•30•19		31049R341032
APPD.	M. C. JENG	05•30•19		