

DATE  
JUNE 21, 2005  
CATALOG NO.  
EP0036-50

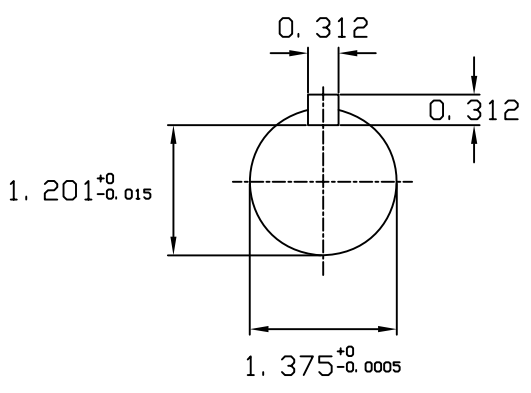
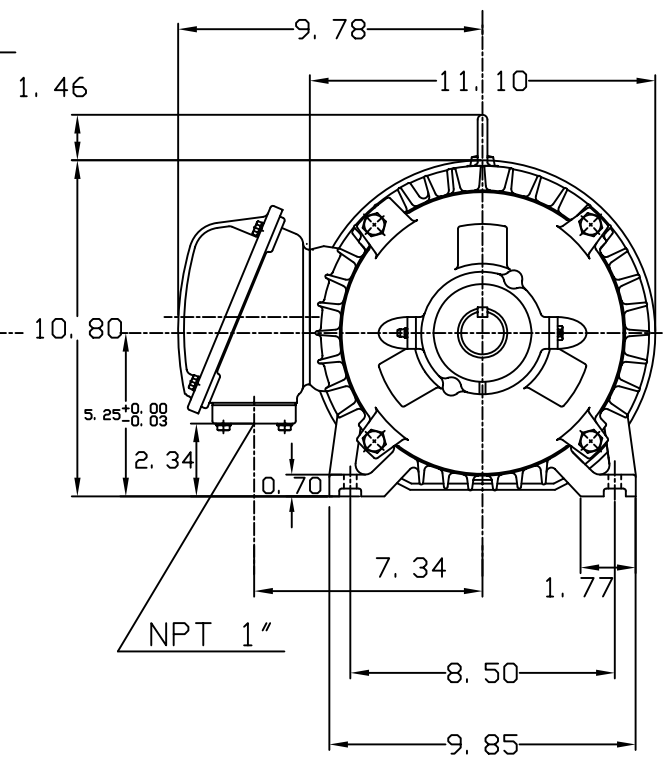
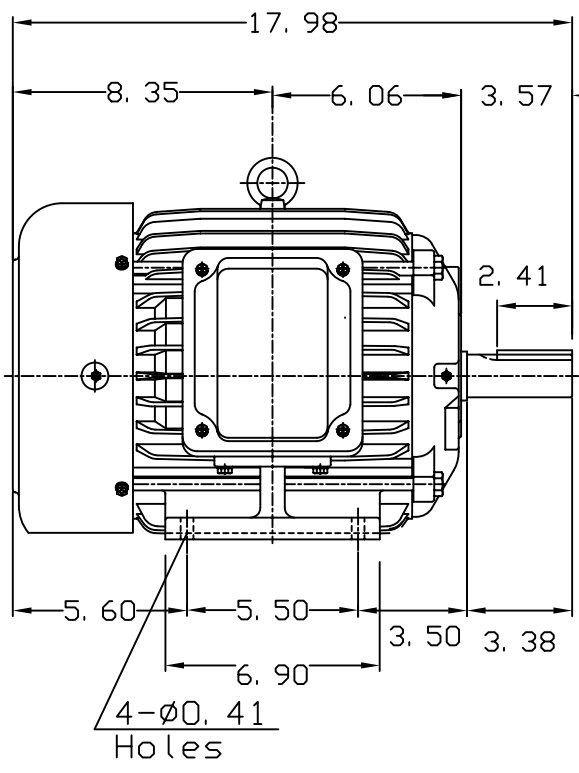
OUTLINE DIMENSIONS  
3-PHASE INDUCTION MOTOR

MOTOR TYPE:  
AEHH8N  
FRAME NO. 213T

| Pole | HP | KW  | Hz | VOLT    | Syn. Speed<br>RPM |
|------|----|-----|----|---------|-------------------|
| 6    | 3  | 2.2 | 50 | 190/380 | 1000              |

| Ins | Rating | Dimension in | Approx Weight | Bearings   |             |
|-----|--------|--------------|---------------|------------|-------------|
| F   | CONT.  | inches       | 167 lbs.      | DE: 6308ZZ | NDE: 6306ZZ |

Totally Enclosed Fan Cooled Squirrel Cage Rotor.



① 10.30.00 J. H. LIANG

|       |             |          |
|-------|-------------|----------|
| DWN.  | J. H. LIANG | 11-30-98 |
| CHKD. | C. S. LO    | 12-29-98 |
| APPD. | Y. B. HUANG | 12-29-98 |



DWG NO.  
31057H355002