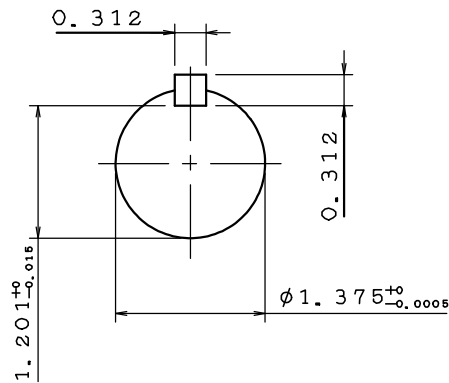
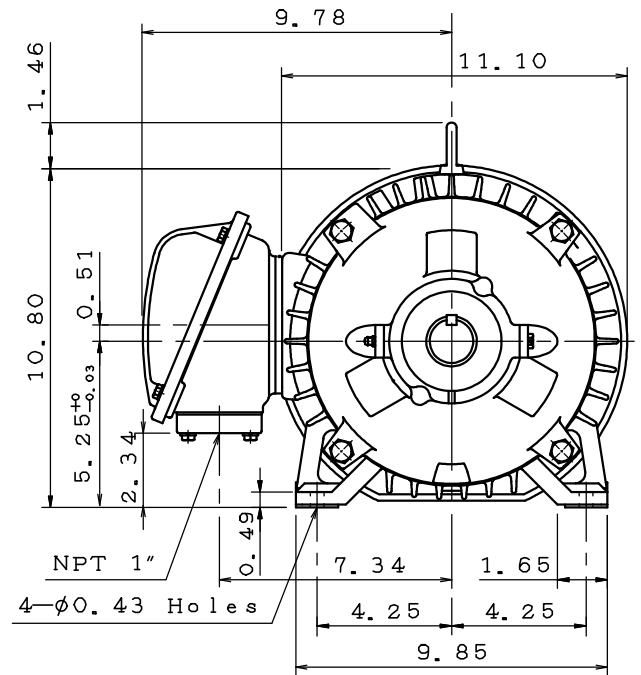
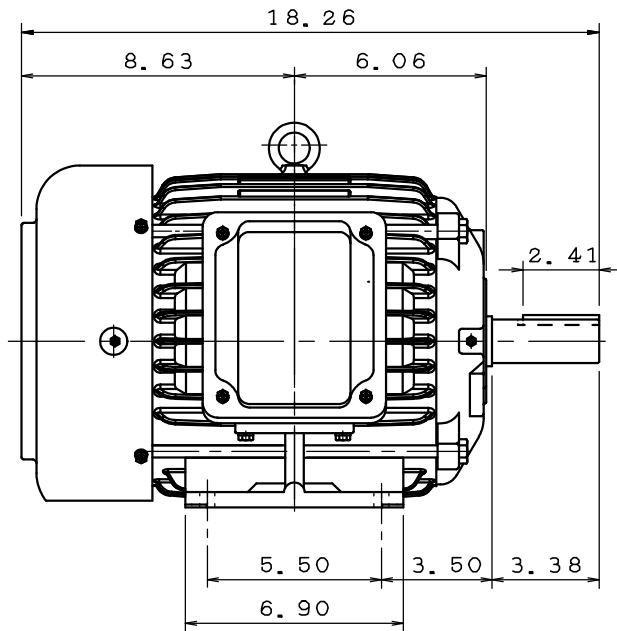


DATE	APRIL 1, 2020	OUTLINE DIMENSIONS	MOTOR TYPE:
CATALOG NO.:	EP0036		3-PHASE INDUCTION MOTOR
			FRAME NO. 213T

Pole	HP	kW	Hz	VOLT	r/min(rpm)
6	3	2.2	60	230/460	1200

Ins	Rating	Dimension in	Approx Weight	Bearings
F	CONT.	Inch	140 lbs	DE: 6308ZZ NDE: 6306ZZ

Totally Enclosed Fan-Cooled Type. Squirrel-Cage Rotor.



◇			
---	--	--	--

DWG.	Mahato	07.25.19	<b>TECO</b> <b>Westinghouse</b>	DWG NO.
CHKD.	M. C. JENG	07.26.19		31049R343100
APPD.	M. C. JENG	07.26.19		