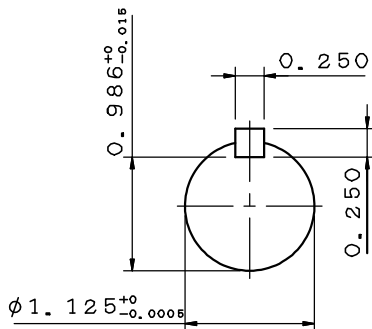
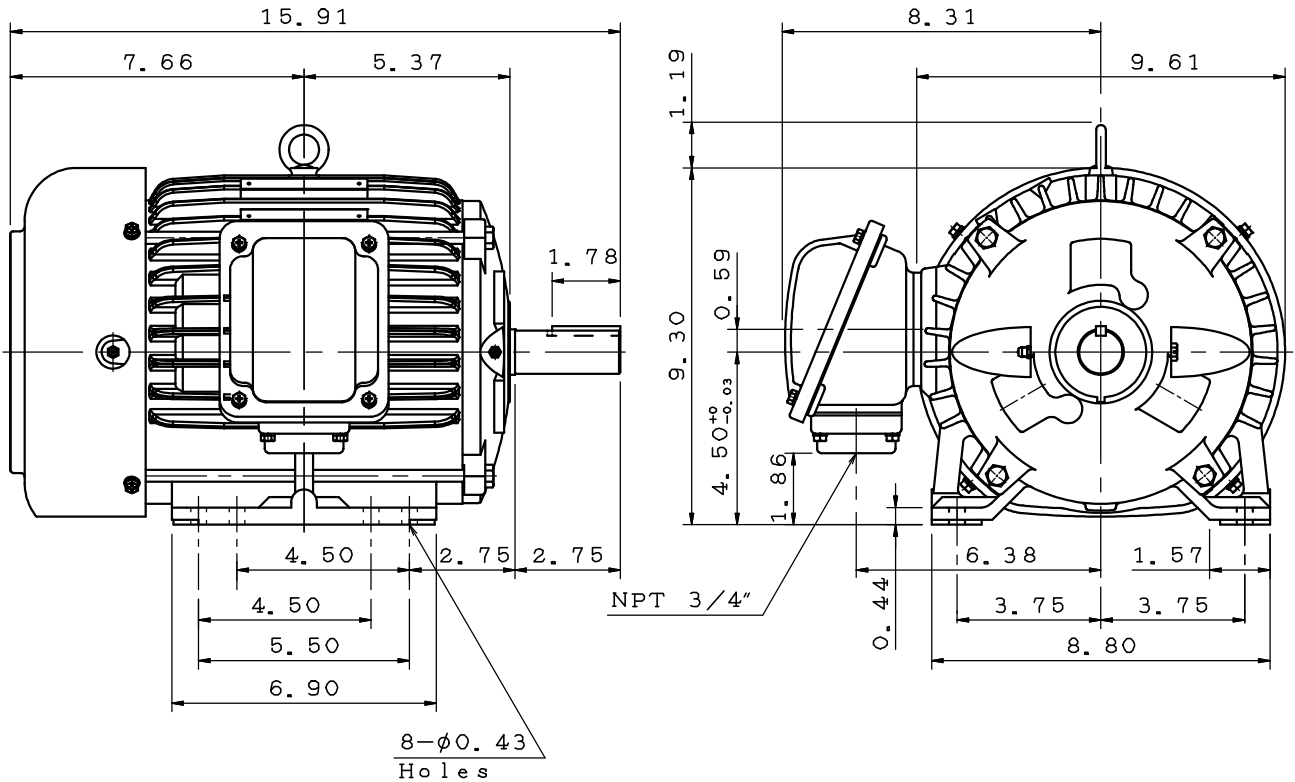


DATE	APRIL 1, 2020	OUTLINE DIMENSIONS	MOTOR TYPE:
CATALOG NO.:	EP0054		3-PHASE INDUCTION MOTOR
			FRAME NO. 184T

Pole	HP	kW	Hz	VOLT	r/min(rpm)
4	5	3.7	60	230/460	1800

Ins	Rating	Dimension in	Approx Weight	Bearings
F	CONT.	Inch	110lbs	DE: 6306ZZ NDE: 6306ZZ

Totally Enclosed Fan-Cooled Type. Squirrel-Cage Rotor.



2	08 08 19	NDE Bearing Changed	Mahato
---	----------	---------------------	--------

DWG.	W. F. PON	05.21.19	TECO Westinghouse	DWG NO.
CHKD.	M. C. JENG	05.30.19		31049R342022
APPD.	M. C. JENG	05.30.19		