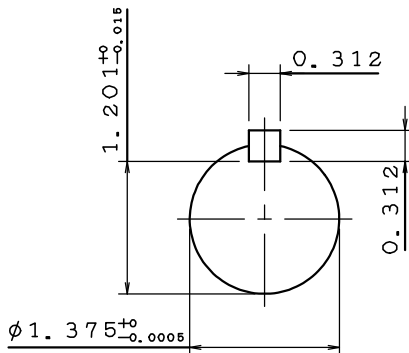
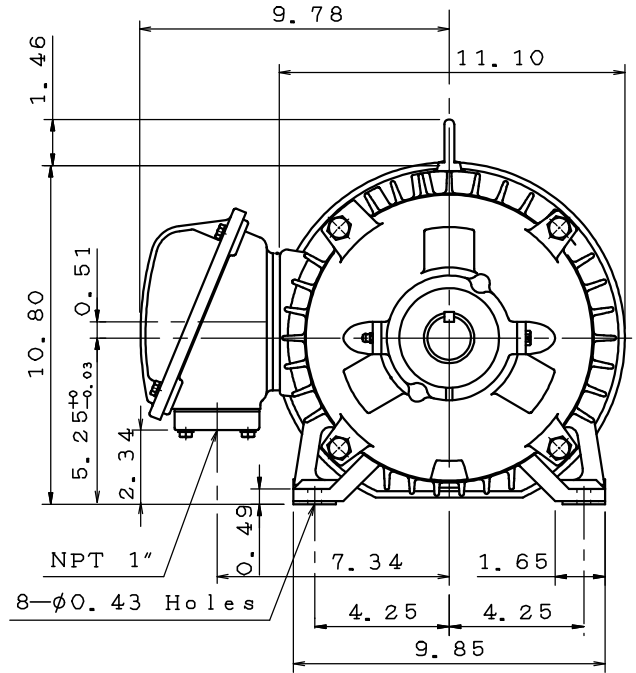
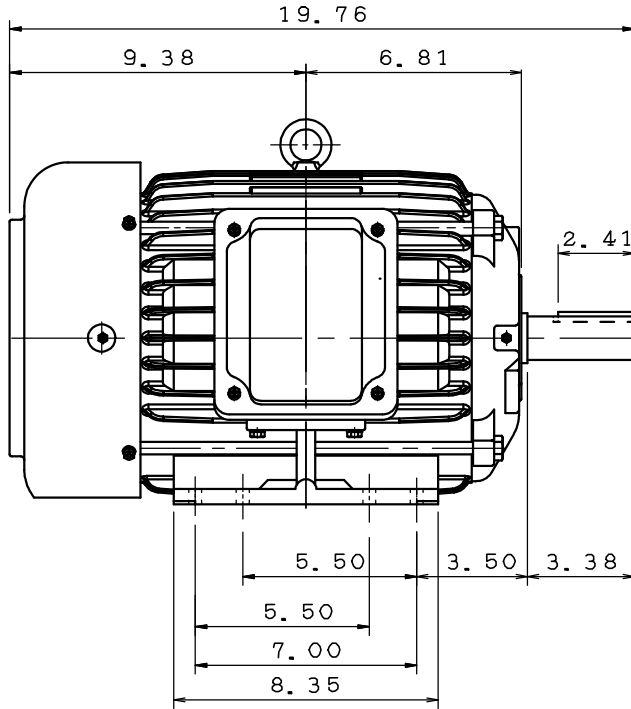


| | | | |
|--------------|---------------|--------------------|-------------------------|
| DATE | APRIL 1, 2020 | OUTLINE DIMENSIONS | MOTOR TYPE: |
| CATALOG NO.: | EP0102 | | 3-PHASE INDUCTION MOTOR |
| | | | FRAME NO. 215T |

| Pole | HP | kW | Hz | VOLT | r/min(rpm) |
|------|----|-----|----|---------|------------|
| 2 | 10 | 7.5 | 60 | 230/460 | 3600 |

| Ins | Rating | Dimension in | Approx Weight | Bearings |
|-----|--------|--------------|---------------|------------------------|
| F | CONT. | Inch | 188 lbs | DE: 6308ZZ NDE: 6306ZZ |

Totally Enclosed Fan-Cooled Type. Squirrel-Cage Rotor.



| | | |
|---|---|---|
| ◇ | . | . |
|---|---|---|

| | | | | |
|-------|------------|----------|---------------------------------|--------------|
| DWG. | Mahato | 07.25.19 | TECO Westinghouse | DWG NO. |
| CHKD. | M. C. JENG | 07.26.19 | | 31049R344100 |
| APPD. | M. C. JENG | 07.26.19 | | |