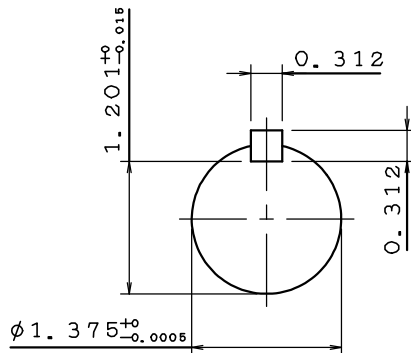
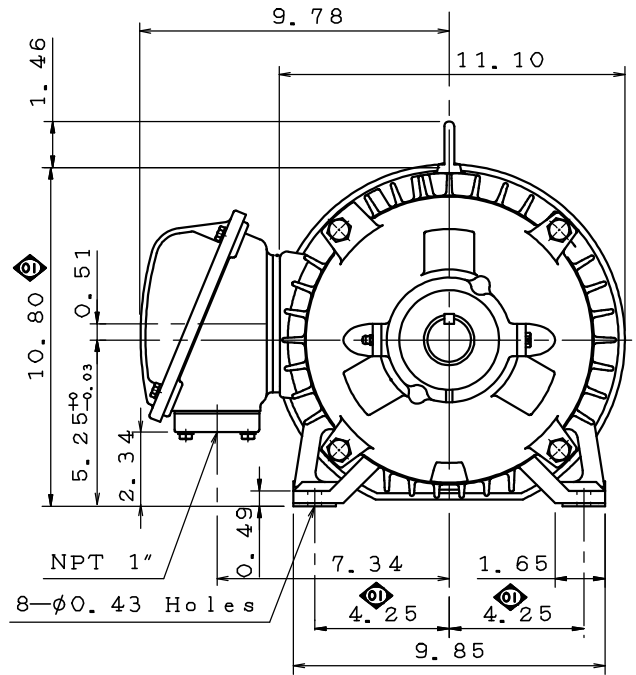
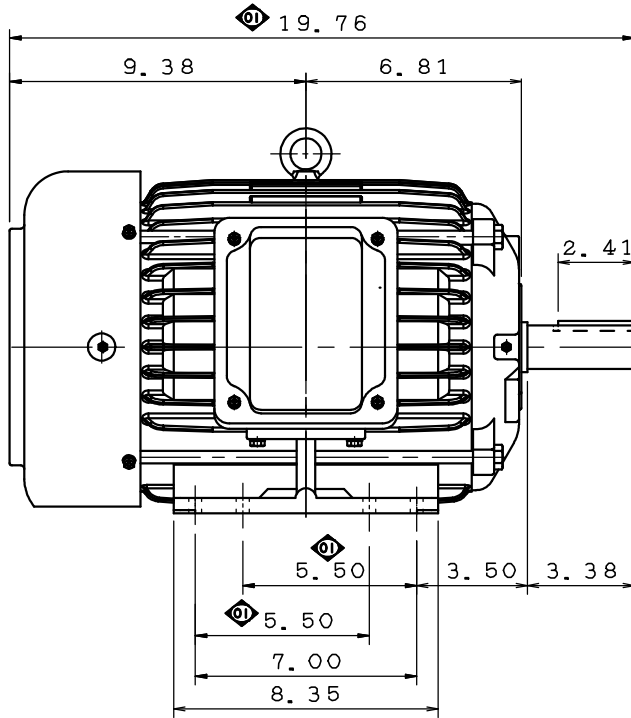


DATE	APRIL 1, 2020	OUTLINE DIMENSIONS	MOTOR TYPE:
CATALOG NO.:	EP0104		3-PHASE INDUCTION MOTOR
			FRAME NO. 215T

Pole	HP	kW	Hz	VOLT	r/min(rpm)
4	10	7.5	60	230/460	1800

Ins	Rating	Dimension in	Approx Weight	Bearings
F	CONT.	Inch	194 lbs	DE: 6308ZZ NDE: 6306ZZ

Totally Enclosed Fan-Cooled Type. Squirrel-Cage Rotor.



1	07 24 19	Weight & Dimensions	Mahato
---	----------	---------------------	--------

DWG.	W. F. PON	05.23.19
CHKD.	M. C. JENG	05.30.19
APPD.	M. C. JENG	05.30.19

TECO **Westinghouse**

DWG NO.
31049R344021