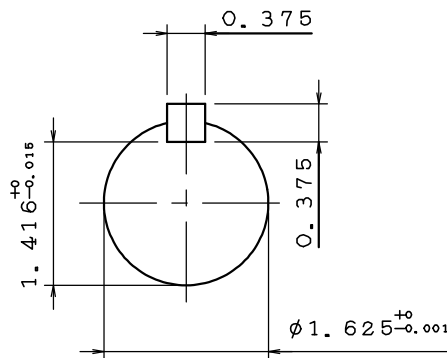
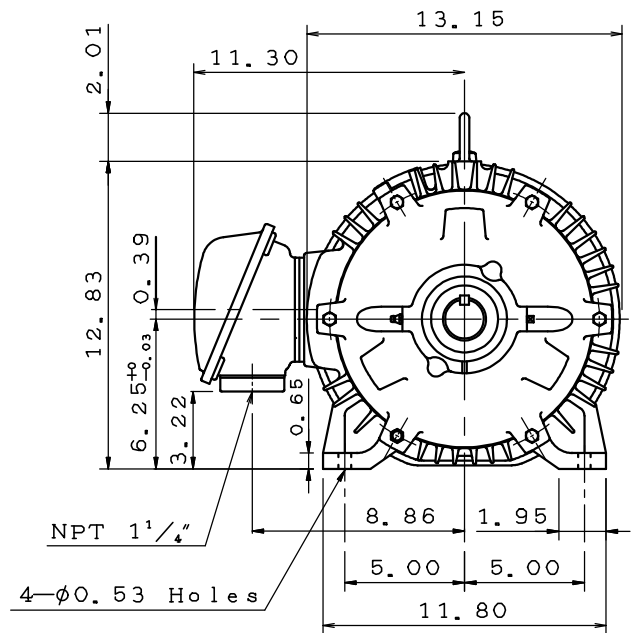
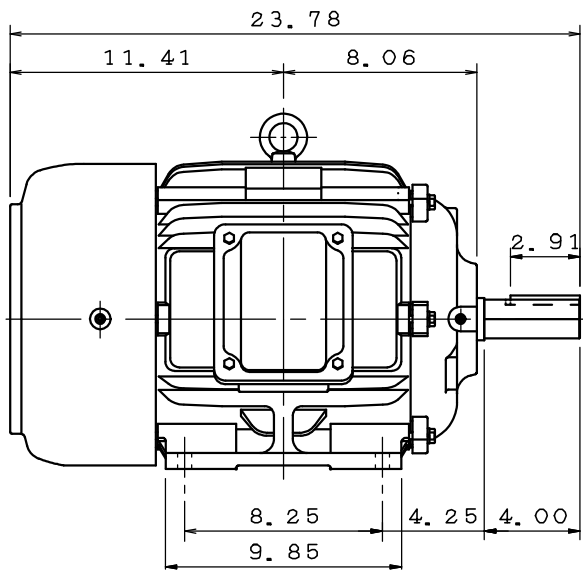


DATE APRIL 1, 2020	OUTLINE DIMENSIONS	MOTOR TYPE: AEHH8N
CATALOG NO.: EP0152		3-PHASE INDUCTION MOTOR

Pole	HP	kW	Hz	VOLT	r/min(rpm)
2	15	11	60	230/460	3600

Ins	Rating	Dimension in	Approx Weight	Bearings
F	CONT.	inch	① 255 lbs	DE: 6309ZZ NDE: 6307ZZ

Totally Enclosed Fan-Cooled Type. Squirrel-cage Rotor.



① 07 12 19	Show approx weight	H. C. Yang
------------	--------------------	------------

DWG.	Mahato	06.28.19	TECO Westinghouse	DWG NO.
CHKD.	M. C. JENG	06.28.19		31057M088031
APPD.	M. C. JENG	06.28.19		