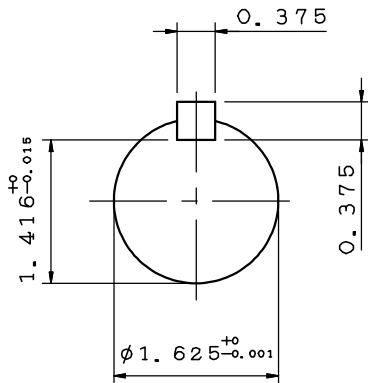
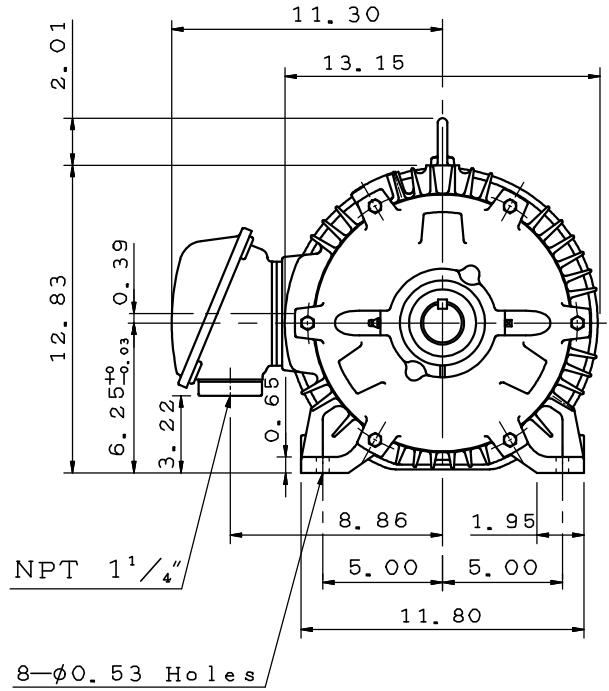
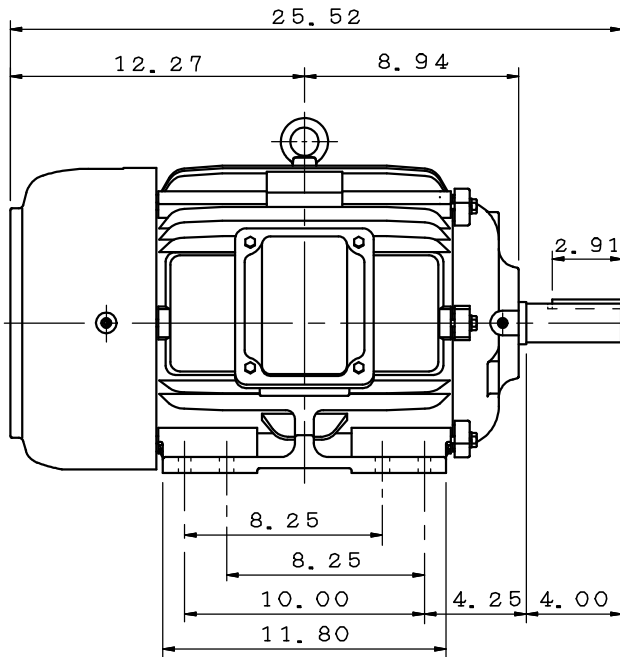


DATE	APRIL 1, 2020	OUTLINE DIMENSIONS	MOTOR TYPE:
CATALOG NO.:	EP0204		3-PHASE INDUCTION MOTOR
			FRAME NO. 256T

Pole	HP	kW	Hz	VOLT	r/min(rpm)
4	20	15	60	230/460	1800

Ins	Rating	Dimension in	Approx Weight	Bearings
F	CONT.	inch	345 lbs	DE: 6309ZZ NDE: 6307ZZ

Totally Enclosed Fan-Cooled Type. Squirrel-cage Rotor.



0		
---	--	--

DWG.	H. C. Yang	07.15.19	<b>TECO</b> <b>Westinghouse</b>	DWG NO.
CHKD.	M. C. JENG	07.26.19		31057M089080
APPD.	M. C. JENG	07.26.19		