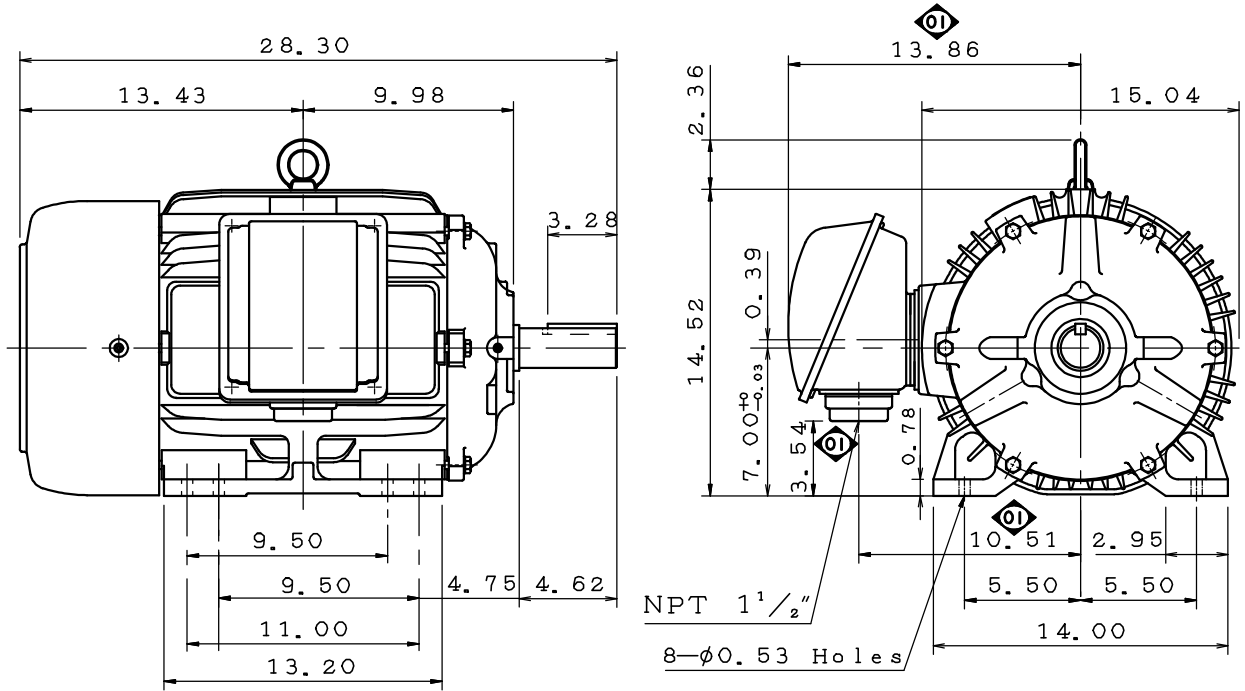


DATE	APRIL 1, 2020	OUTLINE DIMENSIONS	MOTOR TYPE:
CATALOG NO.:	EP0206		3-PHASE INDUCTION MOTOR
			FRAME NO. 286T

Pole	HP	kW	Hz	VOLT	r/min(rpm)
6	20	15	60	230/460	1200

Ins	Rating	Dimension in	Approx Weight	Bearings
F	CONT.	inch	① 455 lbs	DE:6311ZZ NDE:6310ZZ

Totally Enclosed Fan Cooled Type. Squirrel-cage Rotor.



①	12.16.19	Enlarge T-BOX volume.	J. F. Chen
---	----------	-----------------------	------------

DWG.	H. C. Yang	07.15.19	<b>TECO</b> <b>Westinghouse</b>	DWG NO.
CHKD.	M. C. JENG	07.26.19		31057M093061
APPD.	M. C. JENG	07.26.19		