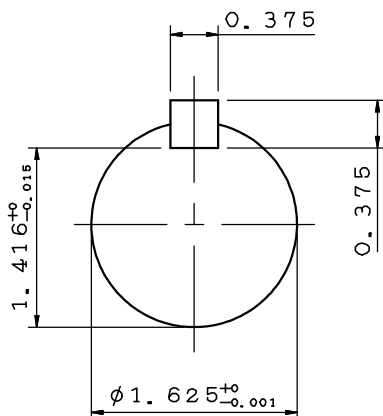
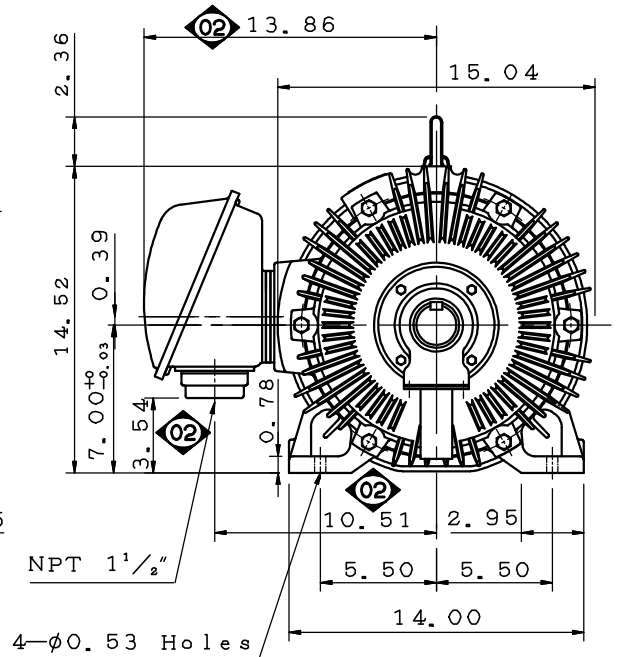
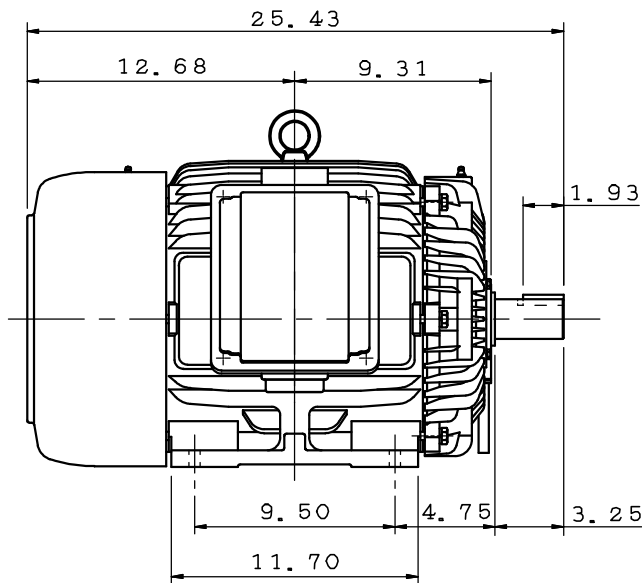


DATE	APRIL 1, 2020	OUTLINE DIMENSIONS	MOTOR TYPE:
CATALOG NO.:	EP0252		3-PHASE INDUCTION MOTOR
			FRAME NO. 284TS

Pole	HP	kW	Hz	VOLT	r/min(rpm)
2	25	18.5	60	230/460	3600

Ins	Rating	Dimension in	Approx Weight	Bearings
F	CONT.	inch	② 424 lbs	DE:6211C3 NDE:6211C3

Totally Enclosed Fan Cooled Type. Squirrel-cage Rotor.



② 12.16.19 Enlarge T-BOX volume. C. T. CHEN

DWG.	Mahato	06.28.19	TECO Westinghouse	DWG NO.
CHKD.	M. C. JENG	06.28.19		31057M090032
APPD.	M. C. JENG	06.28.19		