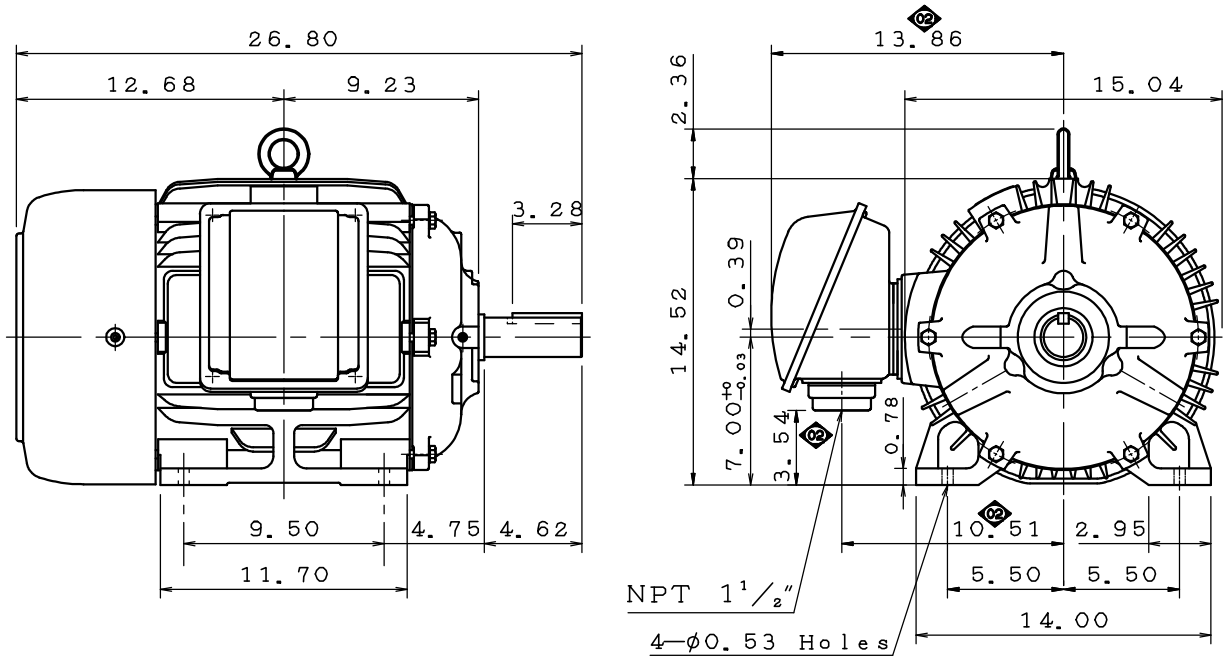


DATE	APRIL 1, 2020	OUTLINE DIMENSIONS	MOTOR TYPE:	AEHH8N
CATALOG NO.:	EP0254		3-PHASE INDUCTION MOTOR	FRAME NO.

Pole	HP	kW	Hz	VOLT	r/min(rpm)
4	25	18.5	60	230/460	1800

Ins	Rating	Dimension in	Approx Weight	Bearings
F	CONT.	inch	② 460 lbs	DE:6311ZZ NDE:6310ZZ

Totally Enclosed Fan Cooled Type. Squirrel-cage Rotor.



②	12.10.19	Enlarge T-BOX volume.	J. F. Chen
---	----------	-----------------------	------------

DWG.	Mahato	06.28.19	<b>TECO</b> <b>Westinghouse</b>	DWG NO.	31057M091032
CHKD.	M. C. JENG	06.28.19			
APPD.	M. C. JENG	06.28.19			