

DATE  
JUNE 21, 2005  
CATALOG NO.  
EP0256-50

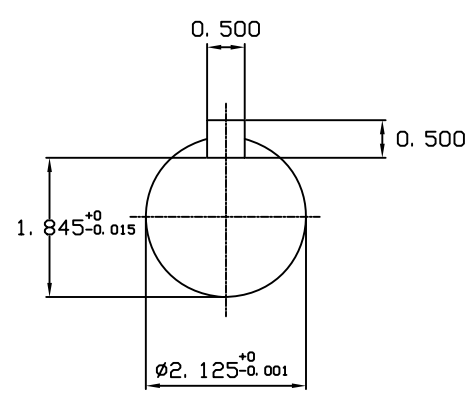
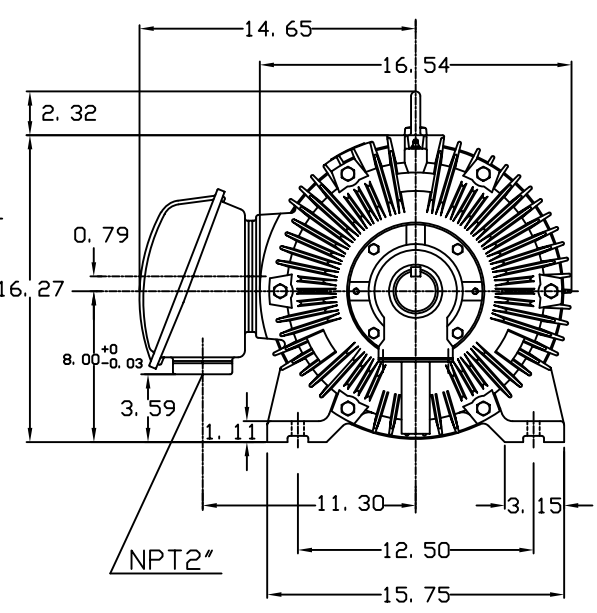
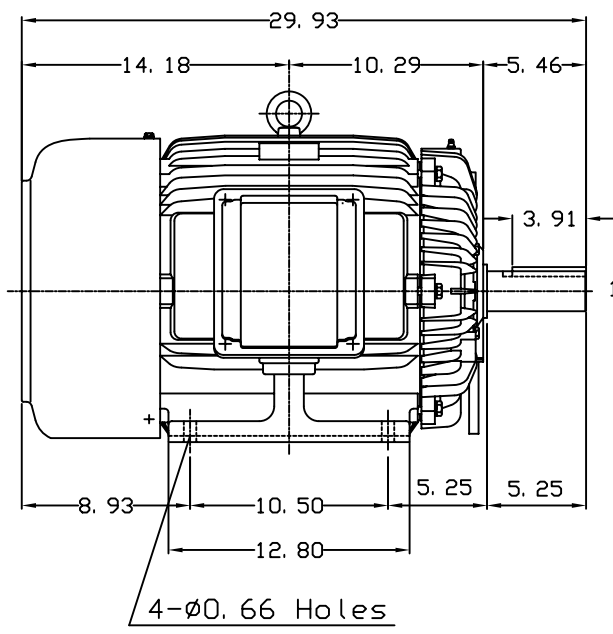
OUTLINE DIMENSIONS  
3-PHASE INDUCTION MOTOR

MOTOR TYPE:  
AEHH8N  
FRAME NO. 324T

Pole	HP	KW	Hz	VOLT	Syn. Speed RPM
6	25	18.65	50	190/380	1000

Ins	Rating	Dimension in	Approx Weight	Bearings	
F	CONT.	inches	664 lbs.	DE: 6312	NDE: 6212

Totally Enclosed Fan-Cooled Type. Squirrel-Cage Rotor.



① 03. 16. 00 J. C. LIN

DWN.	J. H. LIANG	11-30-98
CHKD.	C. H. KAO	12-26-98
APPD.	Y. B. HUANG	12-26-98



DWG NO.  
31057H364002