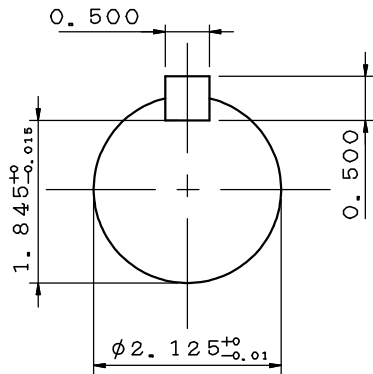
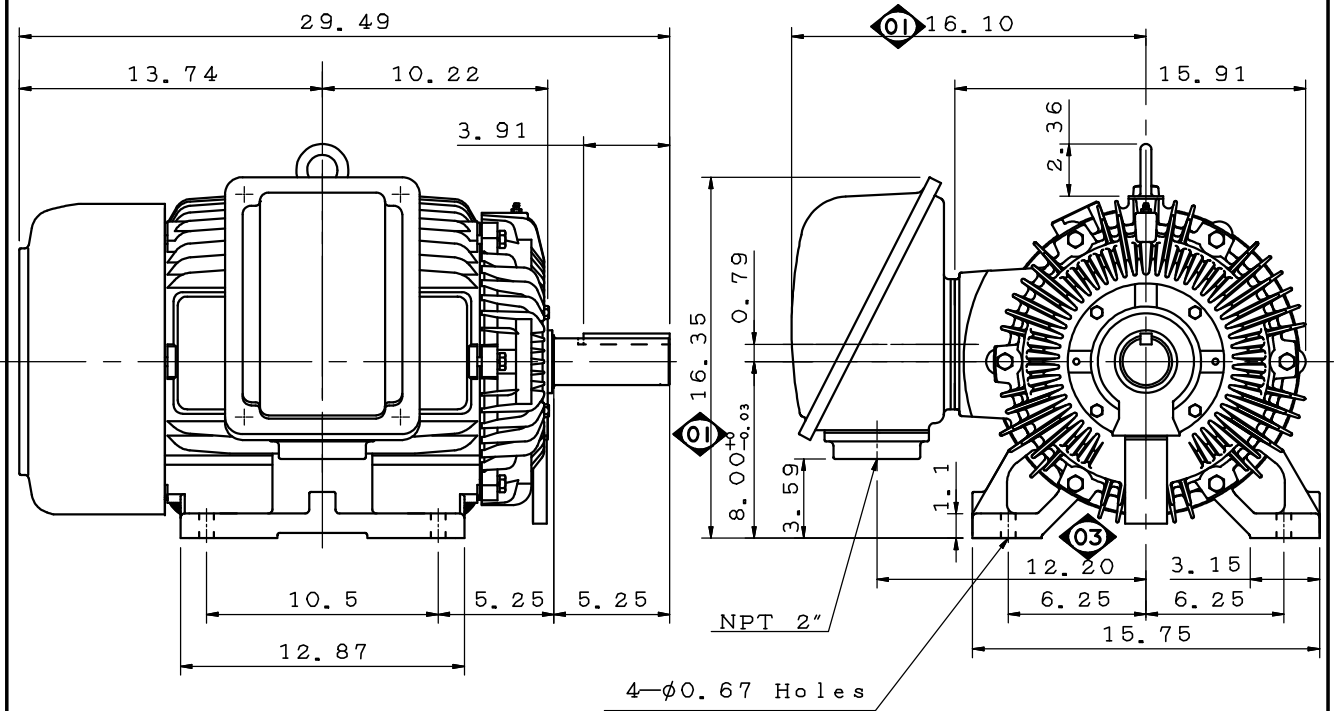


DATE	APRIL 1, 2020	OUTLINE DIMENSIONS	MOTOR TYPE:
CATALOG NO.:	EP0256		3-PHASE INDUCTION MOTOR
			FRAME NO. 324T(X)

Pole	HP	kW	Hz	VOLT	r/min(rpm)
6	25	18.5	60	230/460	1200

Ins	Rating	Dimension in	Approx Weight	Bearings	
F	CONT.	inch	① 559 lbs	DE: 6312	NDE: 6310

Totally Enclosed Fan-Cooled Type. Squirrel-cage Rotor.



① 12.16.19 Enlarge T-BOX volume. C. T. CHEN

DWG.	J. F. Chen	07.15.19	<b>TECO</b> <b>Westinghouse</b>	DWG NO.
CHKD.	M. C. JENG	07.26.19		31057M095071
APPD.	M. C. JENG	07.26.19		