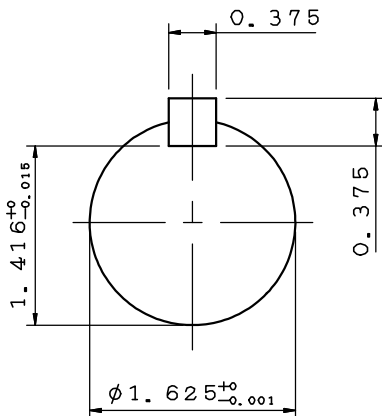
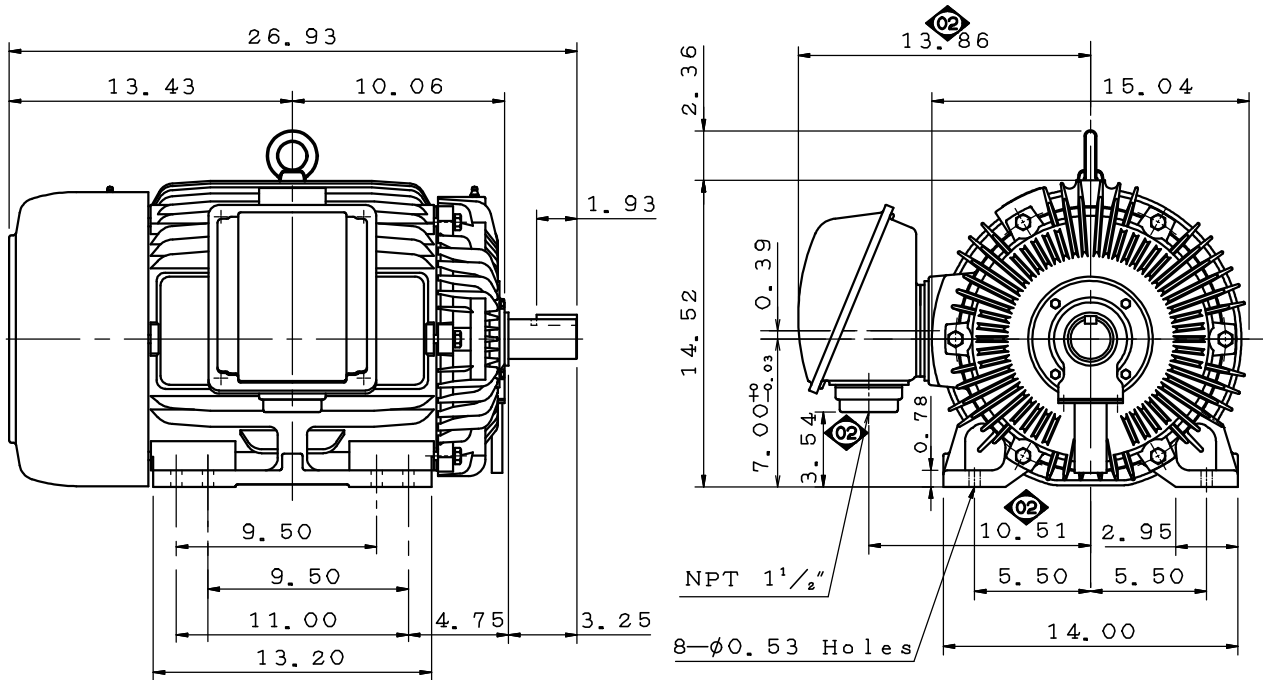


DATE	APRIL 1, 2020	OUTLINE DIMENSIONS	MOTOR TYPE:
CATALOG NO.:	EP0302		3-PHASE INDUCTION MOTOR
			FRAME NO. 286TS

Pole	HP	kW	Hz	VOLT	r/min(rpm)
2	30	22	60	230/460	3600

Ins	Rating	Dimension in	Approx Weight	Bearings
F	CONT.	inch	② 435 lbs	DE:6211C3 NDE:6211C3

Totally Enclosed Fan Cooled Type. Squirrel-cage Rotor.



② 12.16.19	Enlarge T-BOX volume.	J. F. Chen
------------	-----------------------	------------

DWG.	Mahato	06.28.19	TECO Westinghouse	DWG NO.
CHKD.	M. C. JENG	06.28.19		31057M092032
APPD.	M. C. JENG	06.28.19		