

TECO  **Westinghouse**

OUTLINE DIMENSIONS

MOTOR TYPE:
AEHH8N

DATE

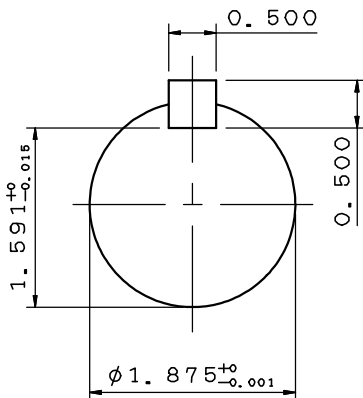
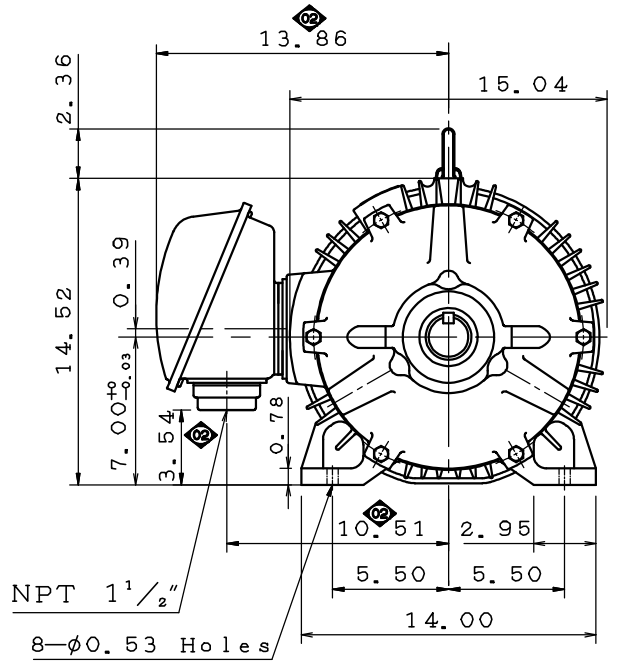
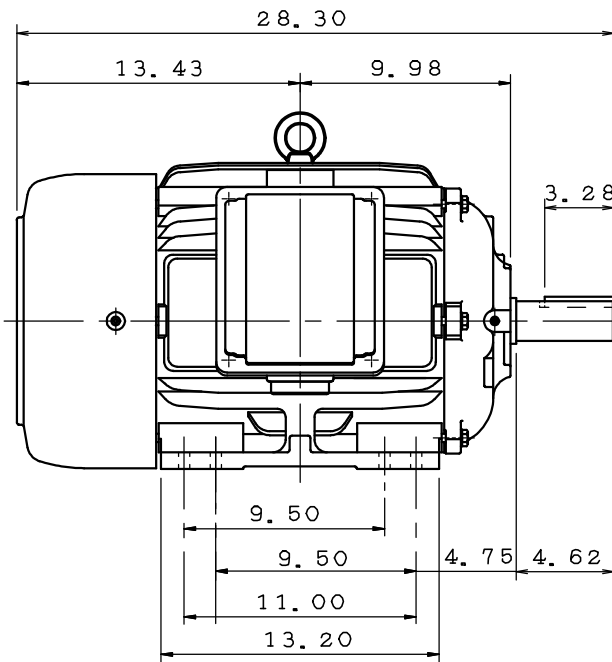
3-PHASE INDUCTION MOTOR

FRAME NO. 286T

Pole	HP	kW	Hz	VOLT	r/min(rpm)
4	30	22	60	230/460	1800

Ins	Rating	Dimension in	Approx Weight	Bearings
F	CONT.	inch	② 501 lbs	DE:6311ZZ NDE:6310ZZ

Totally Enclosed Fan Cooled Type. Squirrel-cage Rotor.



② 12.16.19 Enlarge T-BOX volume. J. F. Chen

DWG.	Mahato	06.28.19
CHKD.	M. C. JENG	06.28.19
APPD.	M. C. JENG	06.28.19

TECO  **Westinghouse**

DWG NO.
31057M093032