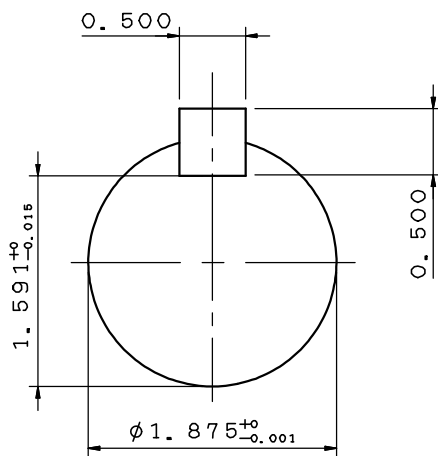
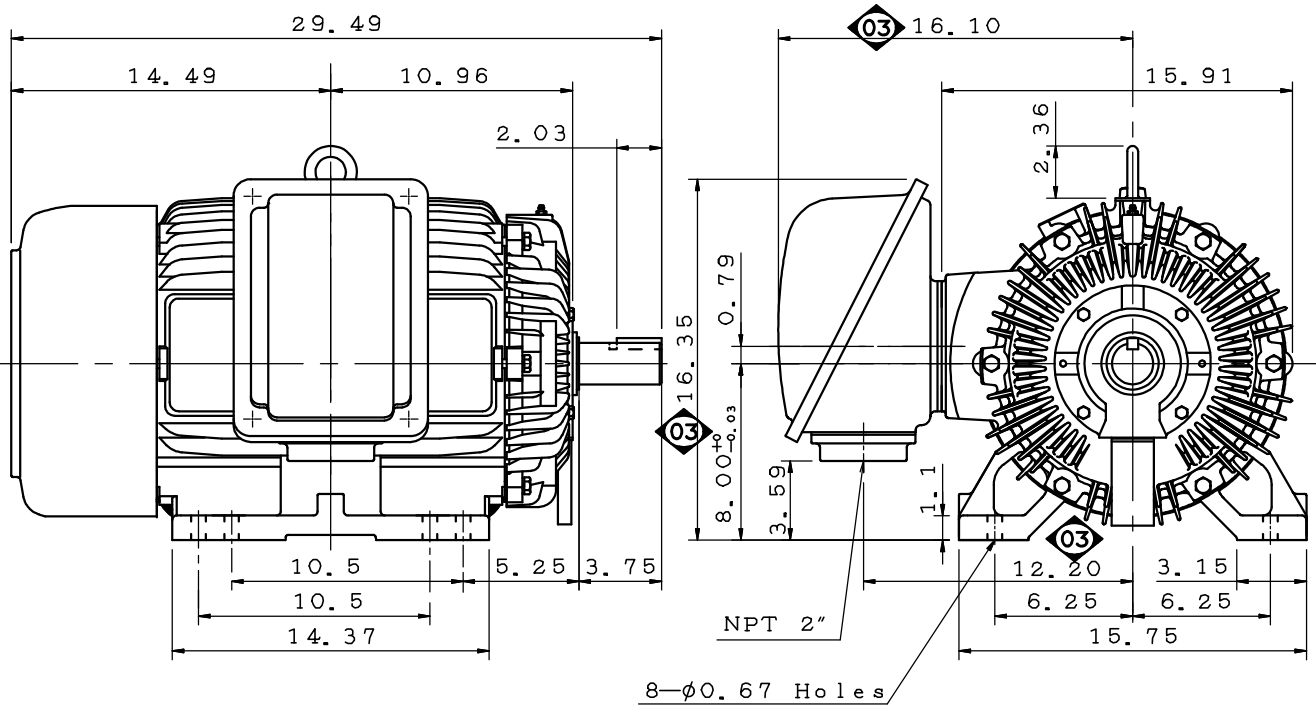


DATE APRIL 1, 2020	OUTLINE DIMENSIONS	MOTOR TYPE: AEHH8N-11-
CATALOG NO.: EP0402		3-PHASE INDUCTION MOTOR

Pole	HP	kW	Hz	VOLT	r/min(rpm)
2	40	30	60	230/460	3600

Ins	Rating	Dimension in	Approx Weight	Bearings
F	CONT.	inch	③ 576 lbs	DE: 6312C3 NDE: 6310C3

Totally Enclosed Fan-Cooled Type. Squirrel-cage Rotor.



③ 12.16.19 Enlarge T-BOX volume. C. T. CHEN

DWG.	J. F. Chen	06.27.19	TECO Westinghouse	DWG NO.
CHKD.	M. C. JENG	06.28.19		31057M094033
APPD.	M. C. JENG	06.28.19		