

DATE  
Feb. 16, 2007  
CATALOG NO.  
EP0404S-50

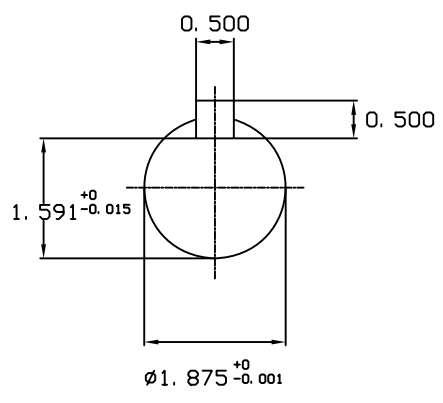
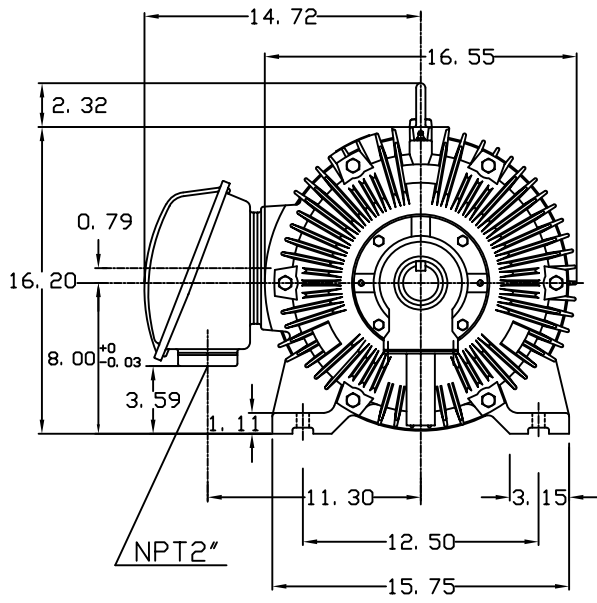
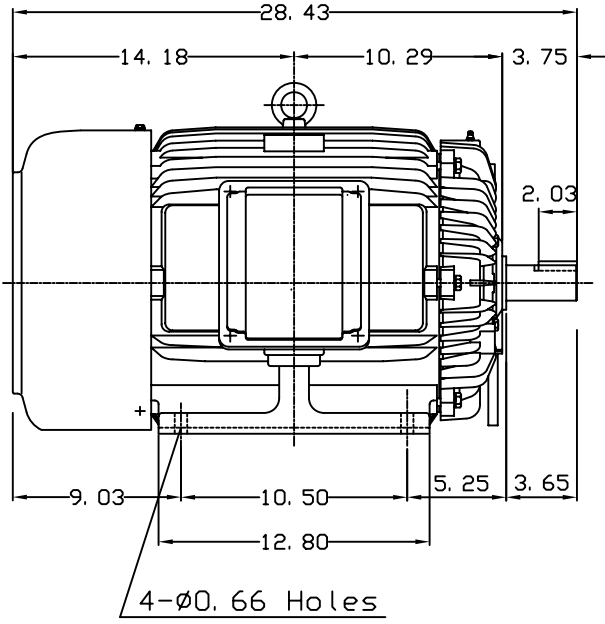
OUTLINE DIMENSIONS  
3-PHASE INDUCTION MOTOR

MOTOR TYPE:  
AEHH8N  
FRAME NO. 324TS

Pole	HP	KW	Hz	VOLT	Syn. Speed RPM
4	40	29.84	50	190/380	1500

Ins	Rating	Dimension in	Approx Weight	Bearings
F	CONT.	inches	650 lbs.	DE: 6312 NDE: 6212

Totally Enclosed Fan-Cooled Type. Squirrel-Cage Rotor.



① 03.16.00 J. C. LIN

DWN. J. H. LIANG 11-30-98  
CHKD. C. H. KAO 12-26-98  
APPD. Y. B. HUANG 12-26-98



DWG NO.  
31057H365001A